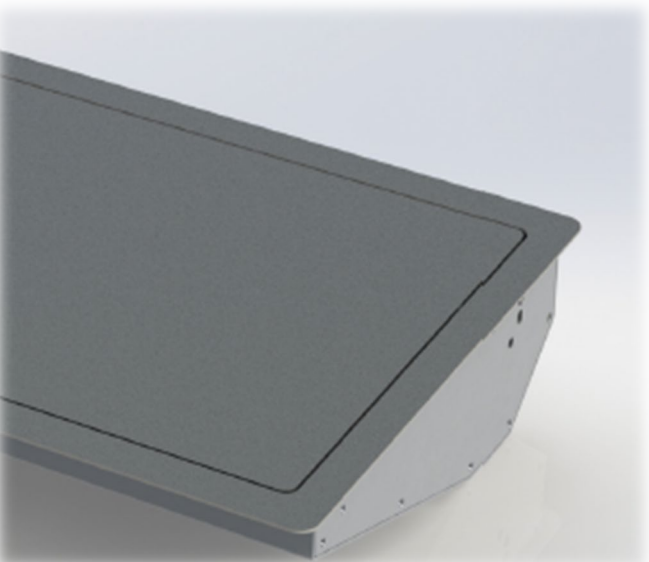




Installation and Operating Instructions (EN)




TURNIS 220 FullHD



ELEMENT
ONE



Explanation of symbols

| | |
|---|-----------------------|
|  | Important Information |
|  | Caution |
|  | Ban |

Dear Customer,

thank you very much for purchasing our product.

Please read this installation and operating instructions carefully and keep them in a safe place.

In this manual we have endeavored to provide you with all the necessary information to enable you to have most success with the products.



Ralf Küchel
Technical Manager / CTO

Table of Contents

| | |
|--|----|
| Table of Contents | 2 |
| Commissioning Date | 3 |
| Notes | 3 |
| Description | 5 |
| Features | 5 |
| Dimensions | 6 |
| Safety Instructions | 7 |
| Installation | 8 |
| Commissioning | 11 |
| General Information | 11 |
| Connection | 12 |
| Operation | 13 |
| General Information | 13 |
| Opening & Display Tilt | 13 |
| Closing | 14 |
| Care Instructions | 14 |
| Display Setting with OSD Buttons | 15 |
| Technical Specification | 16 |
| Safety Standards | 17 |
| Declaration of Conformity | 17 |
| Warranty | 18 |

Scope of Supply

- TURNIS 220 FullHD
- HDMI cable (integrated)
- Table power supply - Input: 100-240V AC, 50 / 60Hz. 1.5A; Output: 12V 60W
- MAX 5.A (Cable length DC ~ 140cm)
- Power cable 1.5m
- transport cushion
- Installation and Operating Instructions / Manual

Description

TURNIS 220 FullHD is an in furniture integratable, retractable 21.5" monitor system. It is equipped with a manually lifting mechanism. The monitor side in closed state is not visible.

The system TURNIS 220 FullHD consists of a TFT display with a frame for installation in a horizontal furniture surface.

In the closed position (retracted), the system is flush with the furniture surface and covered. The power of the display is interrupted.

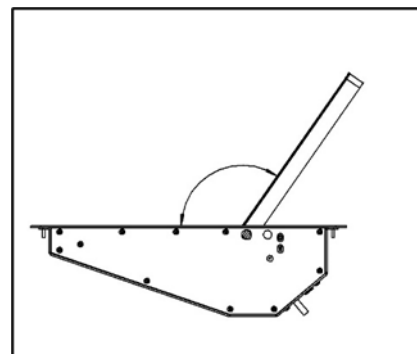
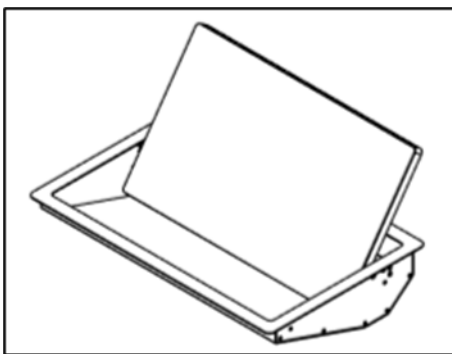
By pressing the front part of the monitor surface, the TURNIS 220 FullHD display moves mechanically to the operating position (extended).

Power will be supplied to the display.

By manually folding the monitor the TURNIS 220 FullHD is closed again.

The power supply of the display will be interrupted.

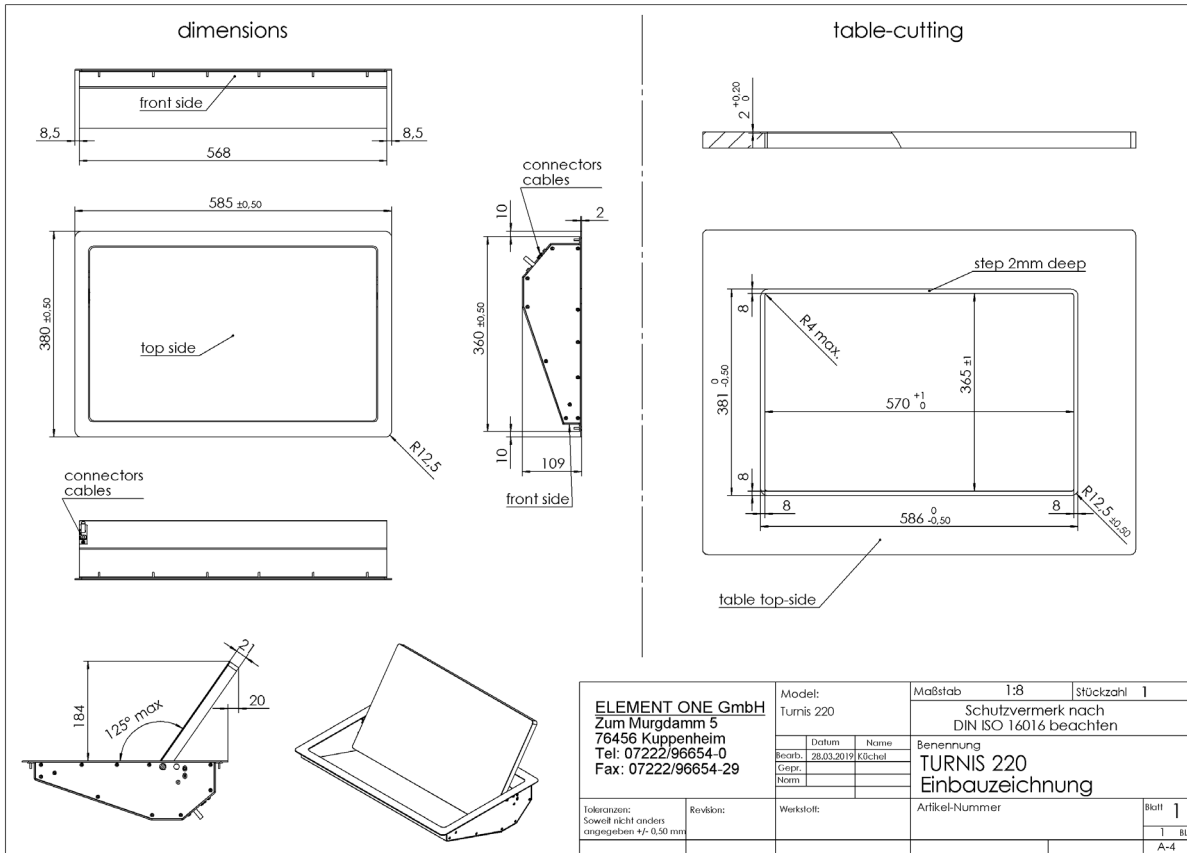
The solid frame and high-quality mechanical elements ensure smooth, jerk- and vibration-free operation.



Features

- 21mm slim monitor housing made of powder coated aluminum
- Manual lifting function, Control via push-open, spring supported for smooth, stepless motion
- Low appearance height 184 mm of the monitor
- max. monitor inclination in operating mode 35°
- Svelte & solid monitor housing made of powder-coated aluminum
- 2 mm hardened & anti-reflective cover screen
- Compact, wedge-shaped housing dimensions in order to provide ergonomical knee & leg room below the table
- Passive Cooling without Ventilation openings
- HDMI HDCP compliant
- FullHD resolution
- Durable HighFlex Cables

Dimensions



Safety Instructions



= Important Information



= Caution



= Ban



The device may only be opened in a disconnected state by authorized qualified personnel!



Let damage and defects be repaired immediately by authorized specialists.



Do not operate this device with any accessories other than the supplied ones.



Never open or close the monitor by force!



Please make sure that there is nothing in the display tray that could jam or damage the screen.



In the event of damage caused by third-party accessories, e.g. power supply unit, or unauthorized attachments or modifications, any warranty and liability claims are excluded.



To achieve the best image quality and to avoid image distortions, shadowing, image shifts, synchronization errors, etc., use only high-quality cables: at least double-shielded and with control cable according to VESA DDC 1/2 B standard.



Do not slide sharp or hard objects over the surface, it may be damaged.



Immediately remove any liquids spilled on the surface with a cloth.



Do not load the device with more than 1.0 kg when closed.



Do not cover the switched-on display for a longer period of time. Excessive temperatures due to blocked heat emission can lead to defects or a reduced lifetime.

Installation



= Important Information



= Caution



= Ban



Please make sure that your furniture has sufficient load-bearing capacity and strength against deflection and warping even after it has been weakened by the cut-out!



Stresses on the mechanics due to tension, pressure, impact can lead to damage or malfunctions.

ELEMENT ONE units should not be transported in the installed condition!



If transport in the installed state is necessary, the following conditions must be considered:

- Retract / close display
- Transport and store devices horizontally, i.e. according to the installation position
- Do not tilt furniture with installed devices.
- Secure devices against slipping and falling out.
- Observe the permissible load of the displays, do not stack them.
- Do not transport or store TURNIS 220 FullHD while lying on its left or right side.
- Attach the display protectors.



ELEMENT ONE devices are fixed in the furniture by means of the decorative/holding frame. For customer-side mounting, ELEMENT ONE will provide an installation drawing upon request.



The table cut-out must be milled or sawn out before mounting the unit and according to the installation drawings (see Dimensions)



It is recommended to install the device by two persons.

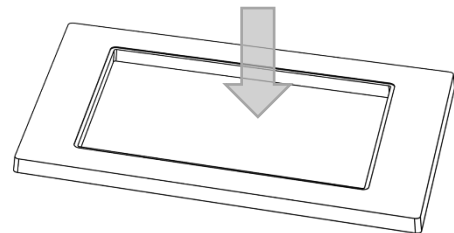
- 1** Please open the carton at the marked top and CAREFULLY place it horizontally on the floor or a clean, flat surface.

Please remove the device from the packaging by first removing the foam pads and protective cover.

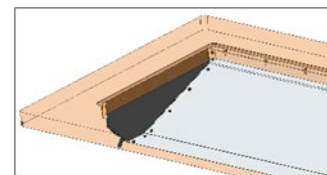
- !** Please carry the device by holding it on the right and left side of the housing.



- 2** There are two options to fix the monitor in the tabletop in such a way that it does not come loose or move from the tabletop when operated manually:

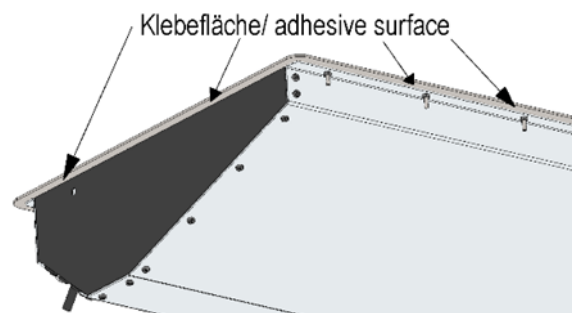


- !** When inserting the device into the table cut-out provided for this purpose, make sure that the outgoing cables (connectors) on the rear side are not damaged.



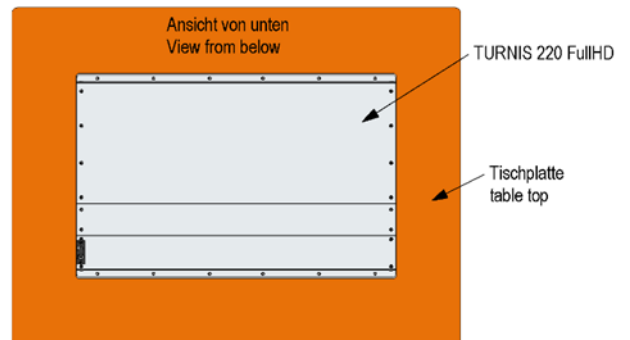
Option (A)

If the connection between table top and monitor is to be permanent, you can fix the decorative holding frame to the table top from below using suitable adhesive utensils.

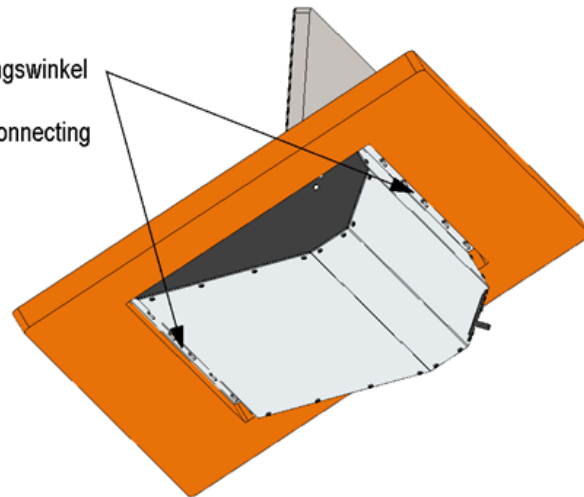


Option (B)

If the connection between table top and monitor is to remain removable, we recommend attaching an additional angle/sheet or similar from below. This additional component (to be defined by the user) can be mounted on the extended M3 grub screws (see picture). It must then be fixed to the table top from below.



Bitte hier Verbindungswinkel /-blech anbringen!
Please attach the connecting angle/sheet here!



3

Adjustment:

Now you have the possibility to check and adjust the parallelism of the monitor back panel according to the decorative frame.

To do this, loosen the two Allen screws M 3 on the right side of the TURNIS 220 FullHD and level the straightness of the surfaces to each other.



Commissioning



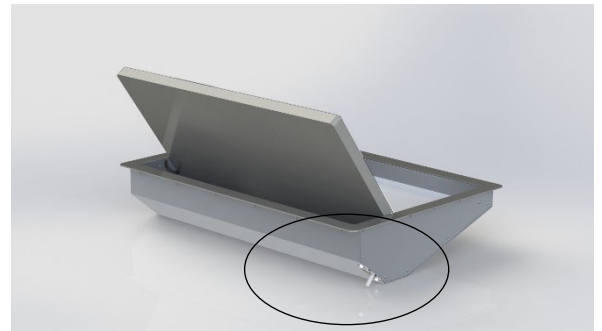
= Important Information



= Caution



= Ban



General Information



Note the following settings:

Graphic resolution native:

FullHD: 1,920 x 1,080 Pixel

Frame rate = 60 Hz

Higher settings are outside the specification range.



Stresses on the cables caused by pulling and rubbing against components shorten the lifetime and can lead to damage and malfunctions. The cables should be fastened and laid after commissioning.

The following conditions must be observed:

- Do not fall below minimum radii
- Maintain distances to mounting points and structural elements
- Cables must not touch any components during opening and closing
- Cables must be plugged in straight



All edges are chamfered or rounded in the area of the cables.



Strong light can affect the image quality.



Ensure that the cables are not pinched during insertion.



Ensure that all screw connections are secure.



Electrical connections should only be carried out when the device is disconnected from the power supply.

Connection

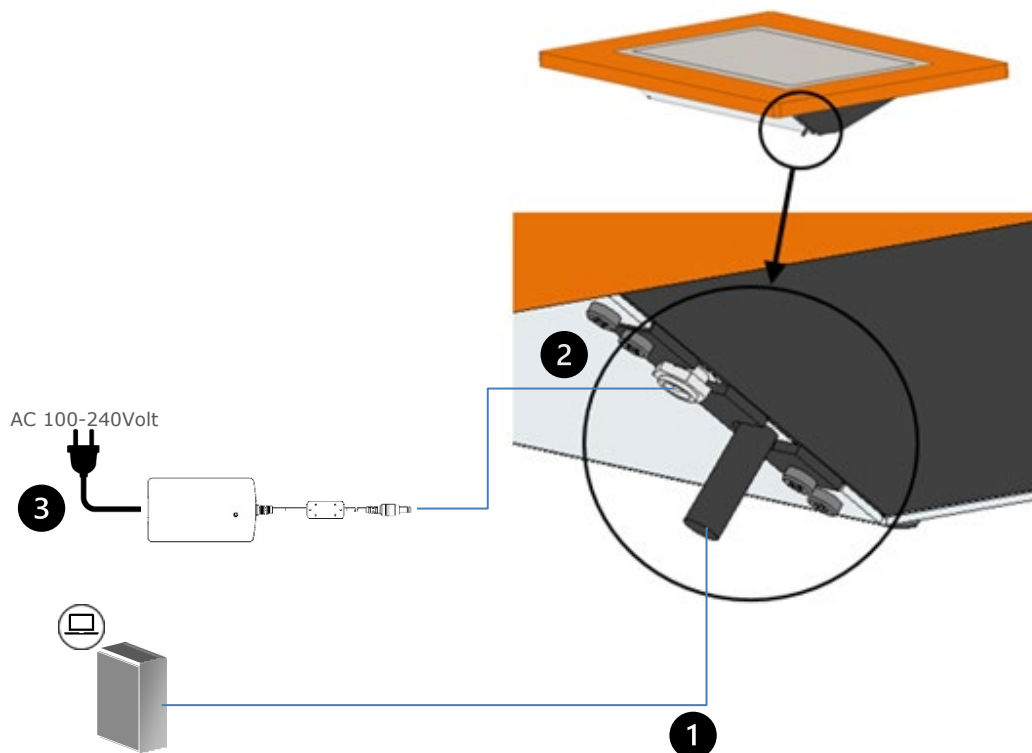
Insert the device into the cut-out.

- 1 Connect the HDMI cable.
- 2 Connect the DC-adaptor cable to the socket on the housing.
- 3 Connect AC plug of the power supply unit to the mains supply.

Carry out a functional test and then attach the cables. It is recommended to use an external signal source for this purpose without any intermediate devices, such as splitters or extenders.



Check that the cables have sufficient space for trouble-free movement



Operation

General Information



Ensure that no parts of the body and/or objects are located between the frame, display and folding mechanism.



Do not reach into the device if you notice objects located between the frame whilst the device is closing!



Do not use force to close the monitor if something is blocking it from closing normally.



Ensure there are no objects on the surface, which could obstruct the procedure.



Do not place any objects in the area around the lowering mechanism.

Opening & Display Tilt

1

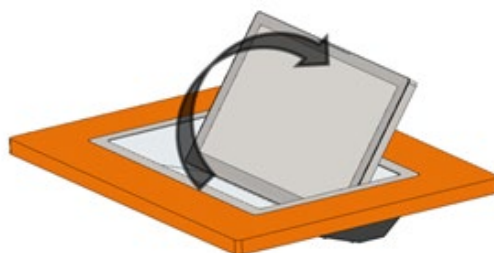
Press the rear panel of the monitor 1x in the center of the front, the lock will be released and the monitor opens by approx. 20°.



2

Open further manually and set the individual display angle between 0° and 125° degrees.

The display switches on and off automatically by means of a built-in limit switch (when opening and closing).



Closing

To close, move the monitor forwards and downwards until you hear it click into the lock.



Care Instructions



= Important Information



= Caution



= Ban



Disconnect the power supply plug before cleaning work!



To clean the device, use only cloths moistened with water or detergent.










Do not use abrasive cleaners, alcohol, thinners or similar chemicals.

Display Setting with OSD Buttons

The OSD buttons are located on the back of the display.
Operation requires the display to be extended.



| | Control Buttons |
|---|--|
|  | Open main menu |
|  | Select Sub-Menu Increase the current value |
|  | Display submenu Decrease the current value |
|  | Navigation |
|  | Navigation |
|  | Display on / off |
|  | LED dark = display is switched off green = normal function flashing green = standby mode or signal out of range orange = no signal oder fail safe Mode flashing orange = no signal red = input format is not supported |

Technical Specification

| |
|---|
| TURNIS 220 FullHD |
| Folding / unfolding monitor; furniture integratable 21.5" FullHD monitor system with manual folding system of the integrated glass / aluminum display; max. monitor inclination in operating mode 35°; Control via push-open. Passive cooling design without ventilation openings. Highflex cables. |
| MECHANICS: Maintenance free |
| MATERIAL: Monitor: Milled aluminum, powder-coated white-alu, silk gloss (RAL9006), 2 mm anti-reflective protective screen Mechanics: Anodized aluminum & stainless steel; mounting frame: stainless steel powder-coated white-alu, silk gloss (RAL9006) |
| MONITOR SPECS: Full HD 21.5" (16:9) LED illuminated TFT HDCP compatible Active Matrix Widescreen format |
| RESPONSE TIME: 14 msec (Typ) |
| RESOLUTION: 1920 x 1080 - FullHD, 16.7M colors (6bit + A-FRC) |
| BRIGHTNESS: 250 cd/m2 |
| CONTRAST RATIO: (typ.) 1,000:1 |
| VIEWING ANGLE: Horizontal 178° / vertical 178° |
| PIXEL PITCH: 0.1989 x 0.1989 mm |
| DISPLAY AREA: 475,20 (H) x 267,30 (V) mm |
| LED life span: up to 50,000 hrs |
| MASS: 16.0 kg |
| DIMENSIONS: approx. 625 x 440 x 86mm Maximum insertion dimension for keyboard: WxDxH: approx. 550x175x20 mm |
| POWER CONSUMPTION: typ. 19 Watt |
| POWER CONSUMPTION DISPLAY: OFF: 0.12 watts Sleep: 0.60 watts ON: 19 watts |
| DISPLAY Operation Angle: typ. 35° |
| EXTENSION HEIGHT: 184 mm (at 35°) |
| VIDEO INTERFACE: HDMI (HDCP compliant); (VGA, DVI, Displayport Optional) |
| Operating temperature: 0°C to +50°C, without direct sunlight or other heat sources |
| Storage temperature: 0°C to +60°C, without direct sunlight or other heat sources. |
| Operating humidity: 10% to 95% RH, non-condensing |
| Storage humidity: 10% to 95% RH, non-condensing |
| SCOPE OF DELIVERY: Desktop Power Supply - Input: 100-240V AC, 50 / 60Hz. 1.5A; Output: 12V 60W MAX 5.A (Cable length DC ~ 140cm) Power cord 1.5m |

Safety Standards

VESA: DPMS
DDC2B-Standard (Version 2 Level B)



For optional accessories, observe the instructions enclosed with them!

Declaration of Conformity



We declare under our sole responsibility that devices of the series FOLD! comply with the regulations 2006/42/EG, 2006/95/EG, 2004/ 108/EG
Harmonized standards applied:
EN ISO 12000:2010
EN 60950-1+A1:2010
EN 55022:2010
EN 55024:2010
EN 61000-3-2/A1/ A2:2009
EN 61000-3-3:2008

Kuppenheim, 01.08.2024

A handwritten signature in black ink, appearing to read 'R. Küchel'.

Ralf Küchel
Technical Manager / CTO

Warranty

- (1) The warranty for ELEMENT ONE products is as follows from the date of purchase
 - 60 months on all purely mechanical components, and
 - 24 months on all electrical and electronic components.

In the case of a purchase that is a commercial transaction for both parties, the customer must report defects of any kind - except hidden defects - in writing within eight working days (Saturday does not count as a working day) after delivery; otherwise the goods are considered approved. Hidden defects must be notified in writing within eight working days (Saturday does not count as a working day) after discovery; otherwise the goods shall be deemed to have been approved also in view of these defects.

- (2) In the event of injury to life, limb or health for which we are responsible, as well as in cases of intent and gross negligence, the limitation period for material defect claims shall be two years. Otherwise, the limitation period for material defect claims shall be one year.
- (3) Insofar as the delivered goods have a not insignificant defect, the customer may demand, at our discretion, either the rectification of the defect (subsequent improvement) or the delivery of a defect-free item (replacement delivery) as subsequent performance. If we are not prepared or not in a position to rectify the defect/replace the delivery, in particular if this is delayed beyond a reasonable period of time for reasons for which we are responsible, or if the rectification/replacement delivery fails in any other way, the customer shall be entitled, at his discretion, to withdraw from the contract or to reduce the purchase price, provided that further attempts at subsequent performance are unreasonable for him.
- (4) There shall be no warranty obligation for normal wear and tear, in particular on parts subject to wear and tear. Furthermore, there shall be no warranty obligation if damage to or malfunctions of the delivery item occur due to improper handling or use of unsuitable operating conditions.
- (5) We shall only be liable for damage due to defectiveness of the delivery item within the limits specified in Clause 8.
- (6) Insofar as the defective delivery item is a third-party product, we shall be entitled to assign our material defect claims against our upstream suppliers to the customer and to refer the customer to their (legal) recourse. Claims may only be asserted against us under subsections 3 and 5 if the claims against our upstream suppliers cannot be enforced despite timely (judicial) recourse or if recourse is unreasonable in the individual case.



WEEE-Rg.Nr.: DE69117530

ELEMENT ONE Multimedia GmbH
Zum Murgdamm 5
DE-76456 Kuppenheim

Service-Hotline: +49 (0)7222 96654-15
service@element-one.de

Version: 08/2024

Misprints, errors and technical changes reserved

© ELEMENT ONE Multimedia GmbH