

## Smart Look

The monitor of the **CONVERS GT 240** can be retracted into the table and invisibly places audio-visual media technology in the room.

It can be used to design rooms in a practical and visually appealing way. The **CONVERS GT 240** with glass front and in-built TCP/IP interface extends the possibilities for planning modern room concepts.

With a monitor diagonal of 23.8 inches, the **CONVERS GT 240** offers maximum visibility as a preview and co-viewing monitor.

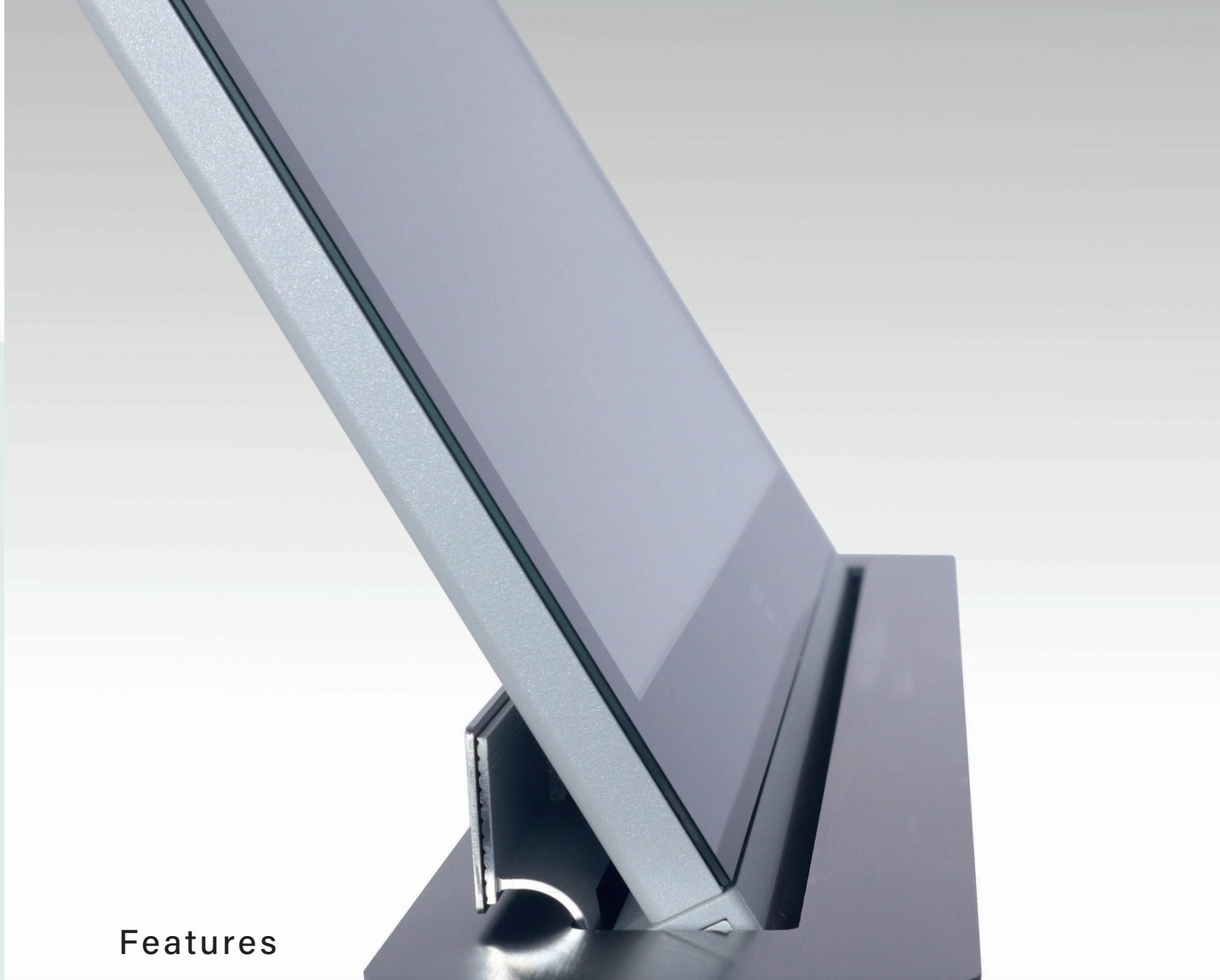
The slim FullHD screen extends vertically and can be tilted backwards by up to 25° using an electric motor.

Thanks to precise stepper motor technology, the ergonomic monitor retracts into the table as quiet as a whisper, leaving a closed, flat surface. It is controlled by buttons on the device or by remote control.

# CONVERS GT 240



- Slim monitor body: visible edge only 15mm, total thickness 21mm
- Overall front glass, black
- up to 25 ° tilt angle of the monitor, electronically presettable
- Stainless steel for mounting frame and cover flap
- Monitor housing made of powder-coated aluminum
- TCP/IP remote control / RJ45 connector
- Passive cooling without ventilation openings
- DirectAxleAccess for manual movement of the monitor - ideal for service purposes
- HDMI, HDCP compliant, 23.8" FullHD resolution [UHD /4K on demand available]
- 2x stepper motors 12V
- Electronic clamp protection
- German precision mechanics
- Electronic & acoustic diagnosis and feedback system
- Durable HighFlex cable
- Integrated universal mounting rails for variable mounting
- Smart cable & plug placement
- Mechanical protection in case of maloperation
- EMC-compatible
- HydraulicSaveSystem against mechanical malfunction
- 5 years limited warranty



## Features

# CONVERS GT 240



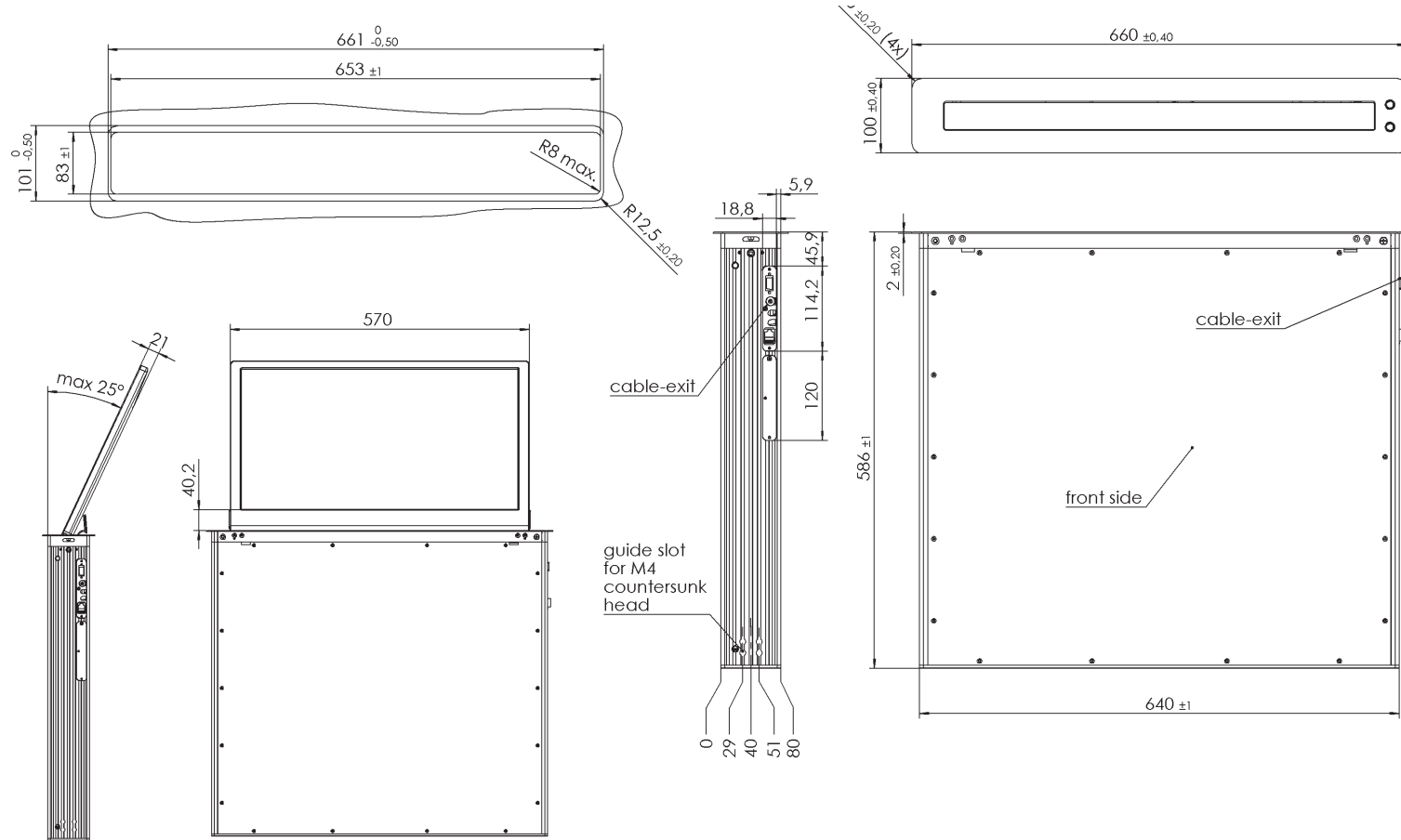
## TECHNICAL DATA

# Product Specification



<b>Art.No.</b>	200-240-GT	<b>Screen Size:</b>	23.8" (16:9)
<b>Type</b>	CONVERS GT 240 FullHD TILT	<b>Resolution:</b>	1,920 x 1,080 - Full HD, 16.7M colors
<b>Function</b>	Vertically Retractable Monitor with 25° Monitor Inclination. Furniture-integratable 23.8" Monitor Lift system with electronical movement mechanism / lifting of the glass/aluminum display (15mm, visible edge). Control via buttons on the device or via remote control interface; separate electromotive adjustment (Dual-Step-Motor); tilt angle of the Monitor both presettable and individually adjustable by the user tilt	<b>Brightness:</b>	250 cd/m2
<b>Material</b>	Monitor body milled aluminum, surface powder coating silver, silk-mat; Glass front side, black   Mechanics: Anodized aluminum, stainless steel; Mounting frame and cover flap - Stainless steel, brushed surface.	<b>Contrast:</b>	(typ.) 1,000:1
		<b>Viewing Angle:</b>	Horizontal 178° / vertical 178°
		<b>Response:</b>	14 ms (typ. G/G)
		<b>LED Life:</b>	up to 30,000 hours
		<b>Mass:</b>	19.0 kg
		<b>Dimensions:</b>	660 x 100 x 586 mm (LxWxD)
		<b>Power Consumption:</b>	typ. 15 Watts
		<b>P.C. Display:</b>	OFF: 0.12 Watts, Sleep: 0.60 Watts, ON: 19 Watts
		<b>Inclination Angle:</b>	up to 25°
		<b>Dual Stepper Motors:</b>	Display Movement, Tilt-Function
		<b>Video Interface:</b>	HDMI
		<b>Remote Interface:</b>	9-pin d-sub serial (RJ45 TCP/IP)
		<b>Scope of Supply:</b>	Desktop Power Supply - Input: 100-240V AC, 50 / 60Hz. 1.5A; Output: 12V 60W MAX 5.0A (Cable length DC ~ 140cm) Power cord 1.5m

\* optional, additional interface



# Dimensions



We'd be delighted to offer our expertise in the planning and selection of the right solution for your needs. If required, we can send further technical drawings, detailed photographs, material samples and, of course, demo devices – perfect to handle and try out.

**Simply call us on +49 (0)7222 96654-20**

**Or send us an e-mail at: [info@element-one.de](mailto:info@element-one.de)**

**ELEMENT ONE**

**Multimedia GmbH**

Zum Murgdamm 5

76456 Kuppenheim

Germany

Fon: +49 (0) 7222 966 54 20

Mail: [info@element-one.de](mailto:info@element-one.de)

[www.element-one.de](http://www.element-one.de)