



„Hide & Speak“

The CONMIC FLAP, the vertically retractable motorized microphone lift for gooseneck microphones with up to 530mm total length (Extended Version) is fully integrated.

The design and the surface matches 100% to the stainless of the ELEMENT ONE Monitors. The motion is almost noiseless due to the precise stepper motor and **perfect workmanship**.

The use of microphones can be controlled flexibly with a remote control. If these are not needed, **the table surfaces are free for individual use**.

Small footprint: For installation in conference tables, CONMIC FLAP only requires a table cut-out of 180 x 100 mm. This leaves enough space for cable connections under the tables. Also, the compact microphone lift can be easily integrated into the arrangement of the table feet below.

CONMIC FLAP

ELEMENT ONE

Multimedia GmbH

Zum Murgdamm 5

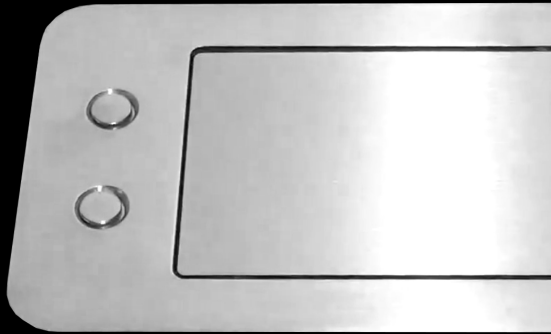
76456 Kuppenheim

Germany

Fon: +49 (0) 7222 966 54 20

Mail: info@element-one.de

www.element-one.de



Can you see it?

The same installation length and surface achieves a consistent line in the table.

On request also form-fit or even in a single closed housing; the so-called „Silverline“.

Features

- Compact Housing Dimensions
- LightWeightDesign
- Brushed stainless steel decorative frame and closure flap
- UltraLowNoiseDesign
- UltraLowEnergy Design
- Monitor and microphone can be controlled independently.
- TCP/IP Control
- DirectAxleAccess for manual movement
- Digital Stepper 12V Motor, durable toothed belt
- German Precision Mechanism
- Electrical & Acustical Diagnose System
- Durable HighFlex Cables
- Integrated Universal Mounting Rails
- All-Aluminum Body
- Smart Cable & Connection Location
- EMC + EMV protected
- HydraulicSaveSystem against mechanical malfunction
- 5 years limited warranty on mechanics



Features

CONMIC FLAP

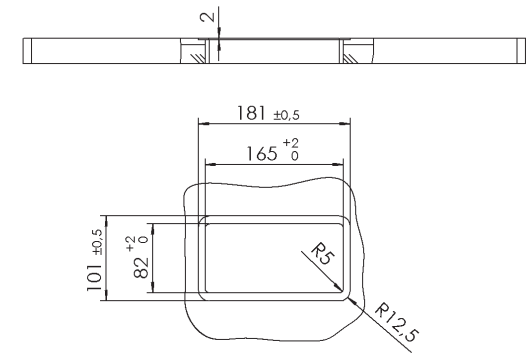
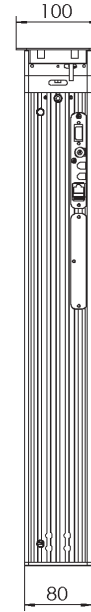
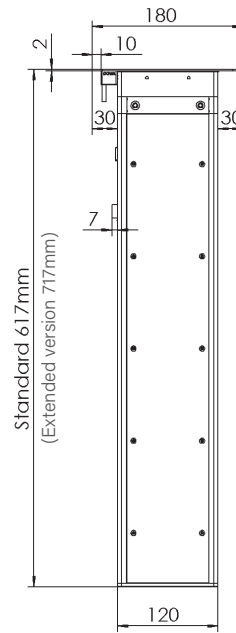
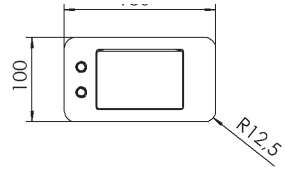


TECHNICAL DATA

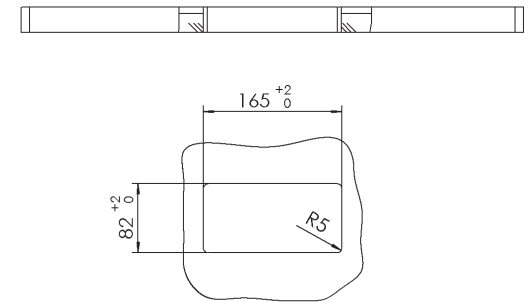
Product Specification



Art.No.	250-300	Mass:	4.5 kg
Type	CONMIC FLAP	Dimensions:	180 x 100 x 617 mm (WxLxD) <i>Extended Version: 180 x 100 x 717 mm</i>
Function	Vertically retractable microphone lift for flush mounting in tables. Electromotive mechanism for extending and retracting a gooseneck microphone. 12 V stepper motor with precise synchronisation when using several conMICs. Maintenance-free, almost noiseless: < 40 dB. Control via push-button in the device frame or remote TCP/IP interface or contact. <i>Microphone not included.</i>	Power consumption:	typ. 15 Watt
Material	Milled, anodized aluminum & stainless steel; mounting frame and closure: stainless steel, brushed	Motion:	Stepper Motor
		Remote control:	9-pin d-sub serial + RJ45 TCP/IP for device control - and setting of extension parameters as well as firmware update (E1 cable and software required)
		Mic length max.:	430 mm <i>530 mm Exetnded Version</i> , gooseneck microphone
		Mic Interface:	According to the type of Mic which is going to be installed
		Mic control:	1x Stainless-LED-Button (Delegate) or 2x Stainless-LED-Button (Chairman); to be specified with order
		Scope of Supply:	Power adapter - Input: 100-240V AC, 50 / 60Hz. 1.5A; Output: 12V 60W MAX 5.A (Length DC ~ 140cm) Power Cord 1.5m



Cutout ON-table



TECHNICAL DATA

Dimensions

We'd be delighted to offer our expertise in the planning and selection of the right solution for your needs. If required, we can send further technical drawings, detailed photographs, material samples and, of course, demo devices – perfect to handle and try out.

Simply call us on +49 (0)7222 96654-20

Or send us an e-mail at: info@element-one.de

**ELEMENT ONE
Multimedia GmbH**

Zum Murgdamm 5
76456 Kuppenheim
Germany

Fon: +49 (0) 7222 966 54 20
Mail: info@element-one.de
www.element-one.de