



#### Small difference - Big effect

CONVERS RETROFIT is a unique product solution designed specifically to replace aging technology - because CONVERS RETROFIT can be installed in the **original table cutout**. Architectural products from ELEMENT ONE are always tied to a space in general and a table in particular. With RETROFIT we take into account a superior appearance and a desired design.

#### Turn „old“ into „new“

RETROFIT means that 10 years and older installations of integrated screens can be replaced virtually in the blink of an eye. **Valuable furniture** as well as the original room design are preserved. This is an interesting aspect of the modernization of the communication room from a nostalgic, economic and ecological point of view.

#### Turn „4:3“ into „16:9“

Compared to the stock monitors of the BLADE series, RETROFIT has again minimized all mechanical parts on the right and left side of the screen. The result is **matching presentation technology** in the most literal sense of the word - with 4K resolution on demand.

# CONVERS RETROFIT 173



- Small „retrofit“ cut-out dimensions, identical to CONVERS 150, 170 and 190 of the 2003 - 2012 model years
- Ultra-thin 8 mm BLADE monitor housing
- 2 mm anti-reflective protective screen UltraLightWeightDesign
- Brushed stainless steel for mounting frame and cover flap
- Silver anodized aluminum monitor housing
- UltraLowNoiseDesign UltraLowEnergyDesign
- Passive cooling without ventilation openings
- DirectAxleAccess for manual retraction and extension - ideal for service and maintenance purposes
- HDMI HDCP compatible; FullHD resolution
- 2x stepper motors 12V
- Electronic clamping protection
- Electronic & acoustic diagnosis and feedback system
- Integrated universal mounting rails for variable mounting Aluminum housing
- Sophisticated cable & connector location
- Mechanical protection in case of operating errors
- EMC + EMC protected
- HydraulicSaveSystem against mechanical malfunction



## FEATURES

(Illustration shows equipment option special color black)

# CONVERS RETROFIT 173



TECHNICAL DATA

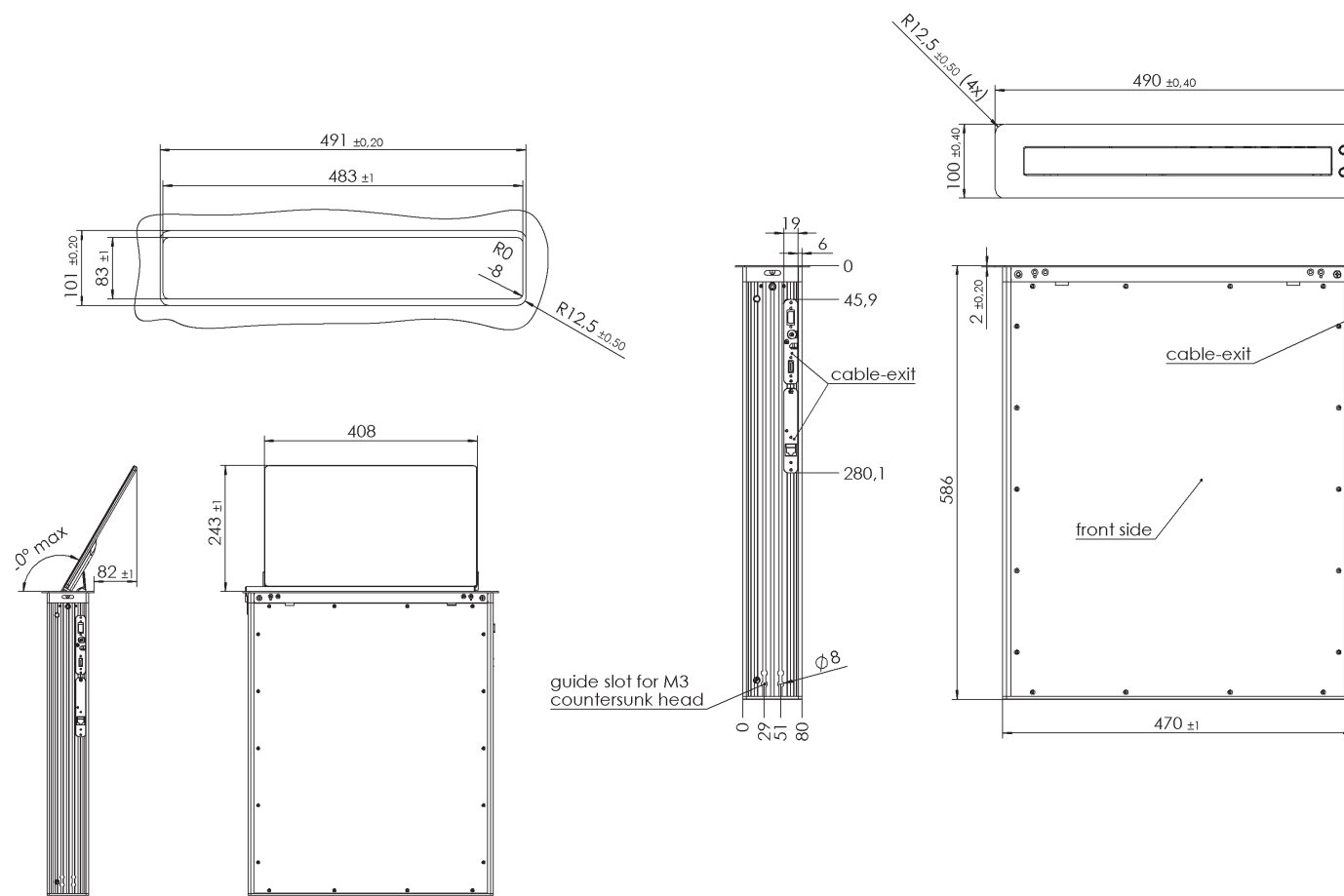
(Illustration shows equipment option special color black)

# Product Specification



<b>Art.No.</b>	215-173-T IP BLADE RF	<b>Screen size:</b>	17.3" (16:9)
<b>Type</b>	CONVERS BLADE 173 FullHD TILT RETROFIT	<b>Resolution:</b>	1920 x 1080 - Full HD, 16.7M colors
<b>Function</b>	Vertically Retractable Monitor with 30° monitor inclination. Furniture integratable 17.3" monitor system with electronical movement mechanism / lifting of the 8mm slim display. Control via buttons on the device or via remote control interface ; Separate electromotive adjustment both pre-adjustable and individually by the user adjustable, programmable tilt angle.	<b>Brightness:</b>	400 cd/m2
<b>Material</b>	Monitor: Milled aluminum, silver anodized, 2 mm anti-reflective glass   Mechanics: Anodized aluminum, stainless steel; Mounting frame and cover flap - Stainless steel, brushed	<b>Contrast:</b>	(typ.) 600:1
		<b>Viewing Angle:</b>	Horizontal 160 ° / vertical 160°
		<b>LED Life:</b>	up to 50,000 hours
		<b>Mass:</b>	~15 kg
		<b>Dimensions:</b>	490 x 100 x 586 mm (LxWxD)
		<b>Power Consumption:</b>	typ. 15 Watts
		<b>P.C. Display:</b>	OFF: 0.12 Watts, Sleep: 0.60 Watts, ON: 5.6 Watts
		<b>Inclination Angle:</b>	up to 30°
		<b>Dual Stepper Motors:</b>	Display Movement, Tilt-Function
		<b>Video Interface:</b>	HDMI, Displayport *, DVI **
		<b>Remote Interface:</b>	9-pin d-sub serial + RJ45 TCP/IP
		<b>Scope of supply:</b>	Desktop Power Supply - Input: 100-240V AC, 50 / 60Hz. 1.5A; Output: 12V 60W MAX 5.A (Cable length DC ~ 140cm) Power cord 1.5m

\* optional, additional Interface | \*\* optional, instead of HDMI



# Dimensions



We'd be delighted to offer our expertise in the planning and selection of the right solution for your needs. If required, we can send further technical drawings, detailed photographs, material samples and, of course, demo devices – perfect to handle and try out.

Simply call us on **+49 (0)7222 96654-20**

Or send us an e-mail at: **info@element-one.de**

**ELEMENT ONE**

**Multimedia GmbH**

Zum Murgdamm 5

76456 Kuppenheim

Germany

Fon: +49 (0) 7222 966 54 20

Mail: info@element-one.de

www.element-one.de