



## M4KE | IT | VISIBLE

The FOLD! 4K is first-class both optically and mechanically. The ultra-thin display extends forward like a robot arm. And when extended, it remains as an elegant tablet above the table surface. And equipped with a brilliant 4K **touchscreen**, it can be used like a tablet - in a comfortable working position and at any tilt angle for the best view. Of course, a version without touch is also available on request.

### Ultra mobile & UltraHD

The 4K version of the FOLD! is not only the only motorized fold-out touchmonitor worldwide. The **FOLD! 4K** - unparalleled in its class - offers a native resolution of 3,840 x 2,160 pixels.

The FOLD! 4K, once whisper-quietly unfolded, assumes the ideal tablet position on the table, yet is not a stand-alone device, but a part of professional AV media technology - with all the security features and functionality needed for a meeting or conference room.

FOLD! 4K | Robotlike UHD Touchscreen

**ELEMENT ONE  
Multimedia GmbH**

Zum Murgdamm 5  
76456 Kuppenheim  
Germany

Fon: +49 (0) 7222 966 54 20

Mail: [info@element-one.de](mailto:info@element-one.de)

[www.element-one.de](http://www.element-one.de)



### Impressive Look & Feel

With a compact 17.3" diagonal screen size, **whisper-quiet mechanics**, and a razor-thin monitor, it's made for modern collaboration and meeting spaces.

The use of excellent materials and a **precise stepper motor drive** makes the FOLD! 4K a future-proof ProAV investment in the 4K signal environment.

### Features

- Ultra HD resolution
- 8mm slim monitor housing made of silver anodized aluminum
- 2mm hardened & anti-reflective protective screen
- Compact housing dimensions
- LightWeight, LowNoise,
- LowEnergy design
- 5 years limited warranty
- 2x stepper motors 12V & precise mechanics
- Electronic clamping protection plus mechanical protection in case of maloperation
- Manual extension function "DirectAxleAccess" for service, maintenance, installation



Perfect Look & Feel:  
ULTRAHD TouchMonitor

Great Impression:  
8mm Blade-Design | Glass | Aluminium

Smooth Operation:  
Whisper-quiet & Precise Motion

Smart Installation:  
TCP/IP Remote Control

# FOLD! 4K | Robotlike UHD Touchscreen



ELEMENT  
ONE

## TECHNICAL DATA

# Product Specification

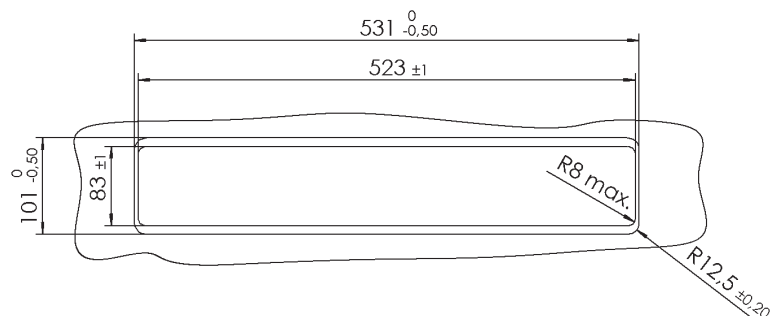


ELEMENT  
ONE

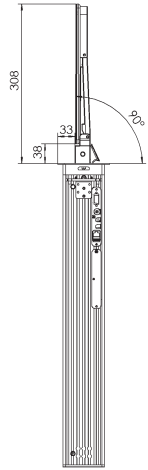
<b>Art.No.</b>	200-173-T IP FOLD 4K TOUCH	<b>Screen size:</b>	17,3" (16:9)
<b>Type</b>	FOLD! 173 4K TOUCH	<b>Resolution:</b>	3,840 x 2,160 - Ultra HD, 16,7M colors (RGB 8-bit)
<b>Function</b>	<p>Vertically retractable TouchMonitor; furniture integratable 17.3" TouchMonitor system with capacitive USB-multitouch system for fingers and pens, with electromechanical drive / lifting system of integrated 8mm slimline aluminum display; automatic display tilt 0°- 60°; inverse, vertical movement; Control via push-button on the device or via remote control interfaces (TCP / IP or contact); Manual lifting DirectAxleAccess for service, maintenance, installation purposes.</p> <p>Low noise &lt;40dB; two 12 V stepper motors with precise synchronization - for simultaneous operation when using multiple monitors; independent electromotive adjustment of the inclination angle - both central presetting via remote interface as well as individual adjustment by user.</p>	<b>Brightness:</b>	300 cd/m <sup>2</sup>
<b>Material</b>	Monitor: Milled aluminum, anodized, 2 mm anti-reflective protective screen   Mechanics: Anodized aluminum & stainless steel; mounting frame and closure: stainless, brushed	<b>Contrast ratio:</b>	(typ.) 800:1
		<b>Viewing angle:</b>	Horizontal 178° / vertical 178°
		<b>Response:</b>	16msec (typ.)
		<b>LED Life span:</b>	up to 15,000 hrs
		<b>Mass:</b>	12.5 kg
		<b>Dimensions:</b>	530 x 100 x 586 mm (LxWxD)
		<b>Power Consumption:</b>	typ. 15 Watts
		<b>Pwr. Consumpt. Monitor:</b>	OFF: 0.12 Watts, Sleep: 0.60 Watts, ON: 14 Watts
		<b>Inclination angle:</b>	15°-90°
		<b>Height Monitor elevated:</b>	305mm at 90° / 112mm at 15°
		<b>2x stepper motor:</b>	Display motion & Tilt function
		<b>Video interface:</b>	HDMI, Displayport *; HDCP compliant
		<b>Touchscreen interface:</b>	Capacitive USB multipoint touch overlay for finger and pen
		<b>Remote control:</b>	9-pin d-sub serial + RJ45 TCP/IP for device operation - and adjustment of motion parameter and firmware update (E1 connection cable & software required)
		<b>Scope of supply:</b>	Power adapter - Input: 100-240V AC, 50 / 60Hz. 1.5A; Output: 12V 60W MAX 5.A (Kabellänge DC ~ 140cm) power cord 1.5m

\* optionally, instead of HDMI

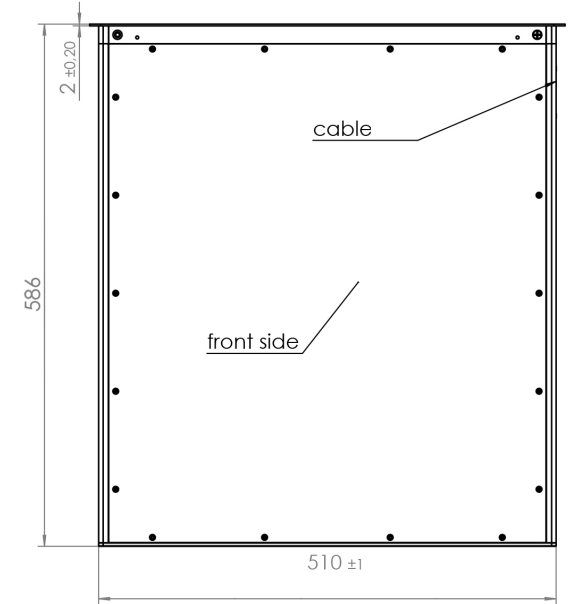
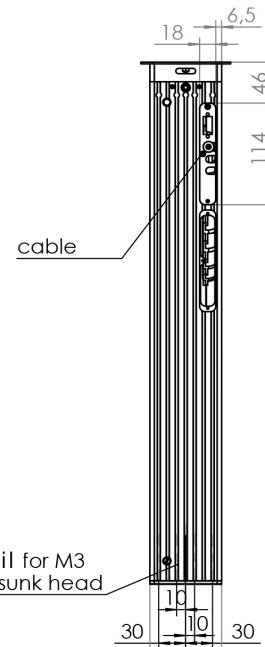
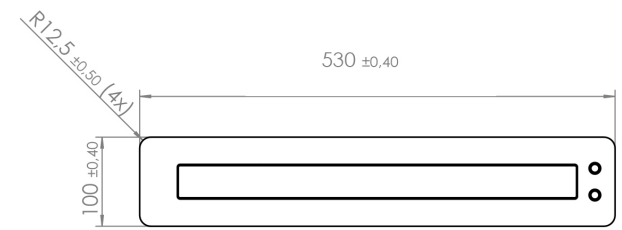
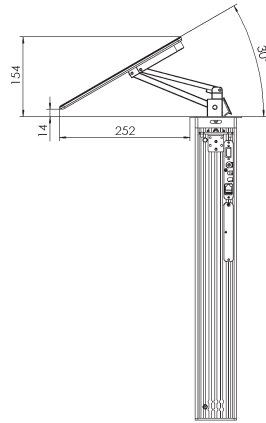




Closed 90°



max angle 30°



# Dimensions



**ELEMENT ONE**  
**Multimedia GmbH**  
 Zum Murgdamm 5  
 76456 Kuppenheim  
 Germany  
 Fon: +49 (0) 7222 966 54 20  
 Mail: [info@element-one.de](mailto:info@element-one.de)  
[www.element-one.de](http://www.element-one.de)