

„Monitor in Motion“

MODIS FLEX 220 is a commitment to modern room design AND audio-visual technology.

The table remains the table. Installed in **executive or welcome areas, savings banks or show rooms:** A quiet and precise stepping motor technology drives the MODIS FLEX 220 on demand and provides the clear view and the easy use of the 21.5 inch Full HD monitor and the operation surface - which was hidden underneath.

Due to the installation method and the **comfortable screen size**, the MODIS FLEX 220 is also suitable for simultaneous use by two users. According to your wishes and your room design.

Once installed in furniture, The MODIS FLEX 220 virtually disappears, by virtue of its smart design.

The unique mechanism **folds flat into the table** and the rear of the panel may also be veneered with the matching surface material: Glass, Corian, Leather - the choice is yours.

MODIS FLEX 220



„Eye-Catcher“

The MODIS FLEX 173 is a combined monitor keyboard unit. He is both **elegant and precise** in the movement mechanics. Highly flexible cables and torsion-resistant components ensure unparalleled longevity. And of course, the MODIS FLEX 173 can be connected to all standard AV Media technology components.

Features

- Slim monitor housing made of silver anodised aluminum
- 3mm tempered & anti-reflective protective cover glass
- Low installation depth ensures sufficient knee / legroom under the table
- Coatable rearside
- LightWeight, LowNoise, LowEnergyDesign
- HDMI HDCP compliant
- FullHD resolution
- 5 years limited warranty
- 2x stepper motors 12V & precise mechanics
- Electronic clamping protection plus mechanical protection in case of incorrect operation
- Optionally with a variety of additional functions expandable, such as camera, touch screen, connector ...



Features

MODIS FLEX 220



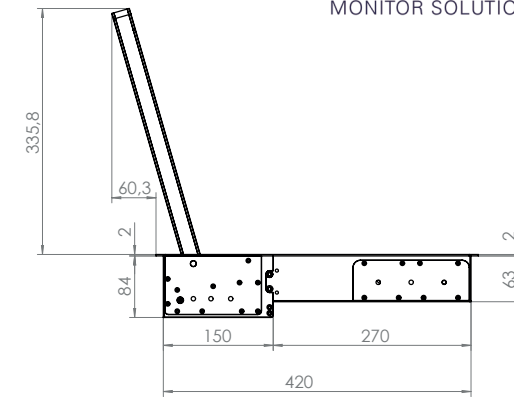
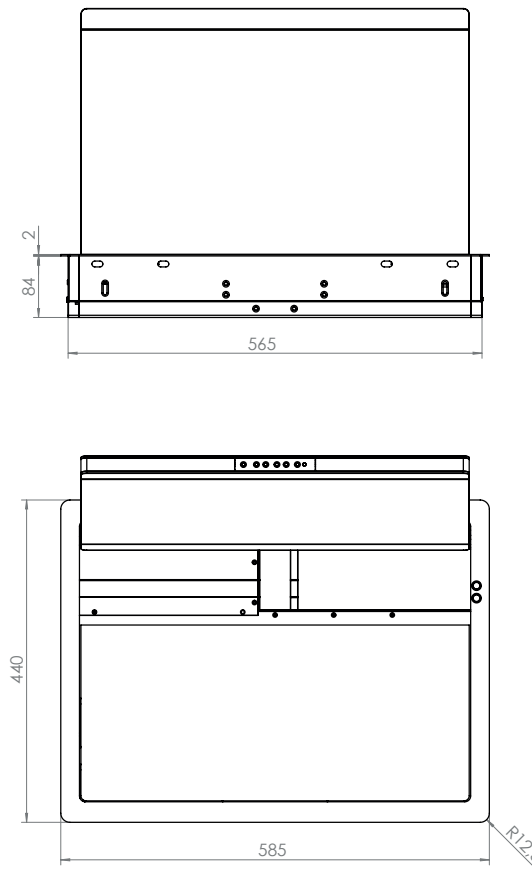
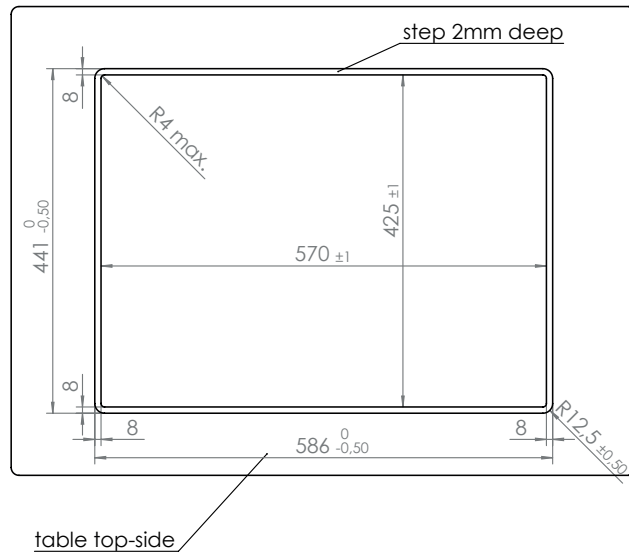
TECHNICAL DATA

Product Specification



Art.No. Model	304-220 Full HD MODIS 220 FLEX FullHD	Screensize:	21.5" (16:9)
Function	In furniture integratable 21.5 „monitor system; Lifting mechanism with two individual motors for extending / retracting monitor and front panel (notebook-type movement - operation side in closed state below, steplessly controllable at the push of a button on the device or via the remote control interface). 2x integrated USB slots; Control via push-button on the device or via remote control interfaces (TCP / IP or dry contact); Low noise <40dB; two 12V stepper motors with precise synchronization - for simultaneous extension when using multiple monitors; independent electromotive adjustment of the inclination angle - both central presetting via remote interface as well as individual adjustment by user.	Resolution:	1920 x 1080 - Full HD, 16,7M Farben
Material	Monitor: Milled aluminum, anodized, 3 mm anti-reflective cover-glass Decorative Trim: Acrylic glass, black Mechanics: Anodized aluminum, stainless steel Mounting Frame Stainless steel, brushed Front Plate / Keyboard Plate: Artificial leather, black	Brightness:	400 cd/m2
		Contrast ratio:	(typ.) 1,000:1
		Viewing angle:	Horizontal 178° / vertical 178°
		Viewing area:	475.20 (H) x 267.30 (V) mm
		Pixel size:	0.1989 x 0.1989 mm
		LED Lifespan:	up to 50,000 hrs.
		Mass:	16 kg
		Dimensions:	585 x 440 x 64/86 mm (WxLxD front / T rear); Monitor thickness: 25mm
		Power consumption:	typ. 15 Watt
		P. consumption Monitor:	OFF: 0.12 Watt, Sleep: 0.60 Watts, ON: 19 Watt
		Inclination angle max.:	20°
		Appearance h. Monitor:	360mm at 110°
		2x Stepper Motors:	Display Motion & Front plate* (*not supplied w. Basic-Version)
		Video Interface:	HDMI, Displayport *, DVI **; HDCP compliant
		Remote Interface:	9-pin d-sub serial + RJ45/ TCP/IP for control and adjustment of motion parameter, also Firmware Update (E1-Cable & Software required)
		Scope of Supply:	Power adapter - Input: 100-240V AC, 50 / 60Hz. 1.5A; Output: 12V 60W MAX 5.A (Length DC ~ 140cm) Power Cord 1.5m

* optionally, additional Interface | ** optionally, instead of HDMI



Dimensions

We'd be delighted to offer our expertise in the planning and selection of the right solution for your needs. If required, we can send further technical drawings, detailed photographs, material samples and, of course, demo devices – perfect to handle and try out.

Simply call us on +49 (0)7222 96654-20

Or send us an e-mail at: info@element-one.de

ELEMENT ONE

Multimedia GmbH

Zum Murgdamm 5

76456 Kuppenheim

Germany

Fon: +49 (0) 7222 966 54 20

Mail: info@element-one.de

www.element-one.de