



„The only one of its kind“

The FOLD! 2.0 is not only stylish - it floats! Like a robotic arm, the wafer-thin touch monitor moves forward. And when extended, it remains as an elegant tablet above the table surface. Equipped with a touch display, it can even be used like a tablet - in a comfortable operating position and at any angle for the best view. On demand a version without touch-overlay is also available, of course.

Real tablet interaction and more - at the push of a button

The FOLD! 2.0 takes the ideal tablet position on the table after it appeared whisper-quiet. Although FOLD! 2.0 is not a single stand-alone device. It is designed to be part of the professional AV media installation - with all the security features, video interfaces and functions that are needed for a meeting or conference room.

FOLD! 2.0 is with its 17.3" larger than a conventional tablet and offers a much more comfortable image area.

„The idea was to combine the best of all worlds.“

FOLD! 2.0 Retractable Monitor



2012 WINNER
EUROPEAN
PRODUCT
DESIGN
AWARD

The first impression

FOLD! 2.0 impresses with its design. With its unique look, FOLD! 2.0 is one of a kind.

Made of aluminum and glass, the elegant monitor appeals to all the senses - a good prerequisite for a positive mood and thus **more effective communication** at the table and in the room.

Features

- 8 mm slim monitor housing made of silver anodized aluminum
- 2 mm hardened & anti-reflective screen
- Compact housing dimensions
- LightWeight-, LowNoise- & LowEnergy-Design
- HDMI HDCP compatible
- FullHD resolution
- 5 years limited warranty
- 2x improved stepper motors 12V & most precise, smooth mechanics
- Electronic clamping protection plus mechanical protection in case of incorrect operation
- Manual lifting function „DirectAxleAccess“ for service, maintenance & installation





ELEMENT
ONE

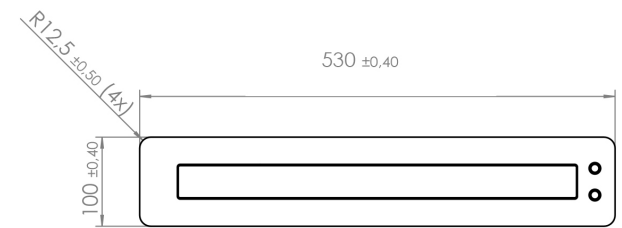
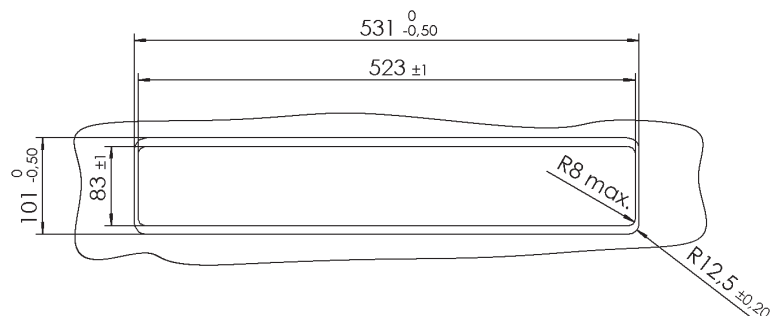
TECHNICAL DATA

Product Specification

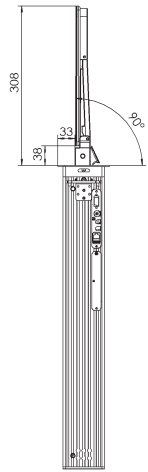


Art.Nr.	200-173-T IP 2 FOLD BLADE TOUCH	Monitor Size:	17.3" (16:9)
Model	FOLD! 2.0 173 TOUCH	Resolution:	1920 x 1080 - Full HD, 262.144 colors
Funktion	Vertically retractable monitor; furniture integratable 17.3" touch monitor system with electromechanical drive / lifting system of integrated 8mm slimline aluminum display; automatic display tilt 15°- 90 °; inverse, vertical movement; Control via push-button on the device or via remote control interfaces (TCP / IP or contact); Manual lifting via DirectAxleAccess for service, maintenance, installation purposes. Low noise <40dB; two 12 V stepper motors with precise synchronization - for simultaneous operation when using multiple monitors; in dependent electromotive adjustment of the inclination angle - both central presetting via remote interface as well as individual adjustment by user.	Brightness:	300 cd/m2
Material	Monitor: Milled aluminum, anodized, 2 mm anti-reflective protective screen Mechanics: Anodized aluminum & stainless steel; mounting frame and losure: stainless, brushed	Contrast ratio:	(typ.) 700:1
		Viewing angle:	Horizontal 160° / vertical 160°
		Viewing area:	381.888 (v) x 214.812 mm
		Pixelsize:	0.1989 x 0.1989 mm
		LED life time:	up to 15,000 ours
		Mass:	~15 kg
		Dimensions:	530 x 100 x 586 mm (LxWxD)
		Power consumption:	typ. 15 Watt
		P. consumption Monitor:	OFF: 0.12 Watt, Sleep: 0.60 Watts, ON: 19 Watt
		Inclination angle:	15°-90°
		Height Monitor elevated:	305mm at 90° / 112mm at 15°
		2x stepper motor:	Display motion & Tilt function
		Video interface:	HDMI, Displayport *, DVI **, HDCP compliant
		Touchscreen interface:	USB
		Remote control:	9-pin d-sub serial + RJ45 TCP/IP for device operation - and adjustment of motion parameter and firmware update (E1 connection cable & software required)
		Scope of supply:	Power adapter - Input: 100-240V AC, 50 / 60Hz. 1.5A; Output: 12V 60W MAX 5.A (Kabellänge DC ~ 140cm) power cord 1.5m

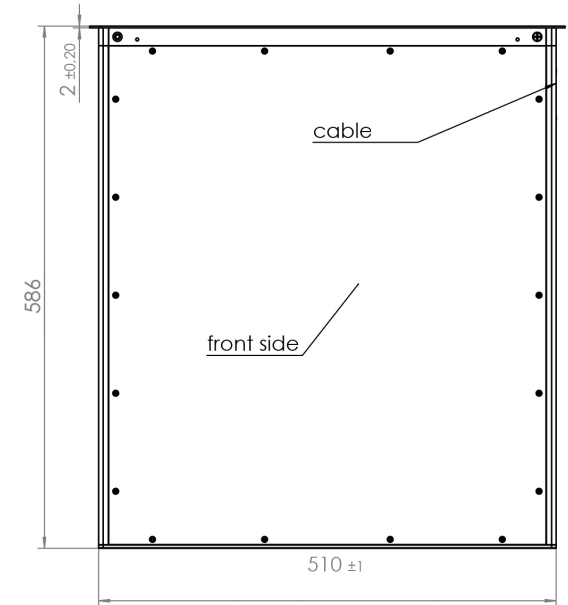
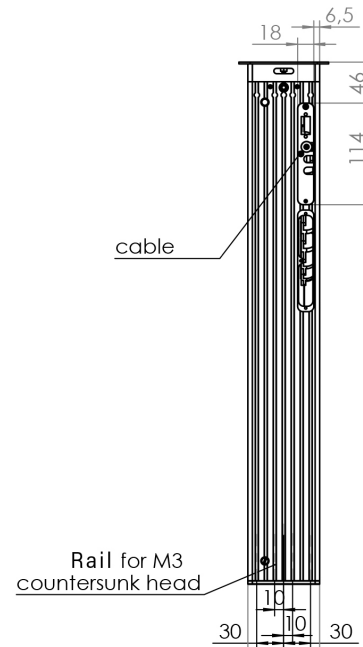
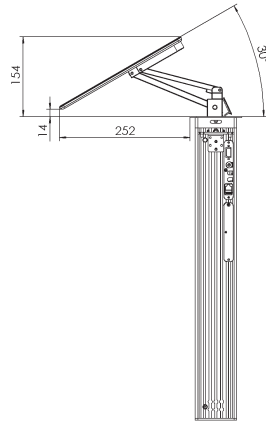
* optionally, additional interface | ** optionally, instead of HDMI



Closed 90°



max angle 30°



Dimensions

