

VER SIS 173 FullHD

Retractable Monitor



VER SIS



„visulutionary“

[ˈvɪʒuˈluːʒənəri] ADJ:

describes the feeling and impression
you get when you use unique integrated
monitor solutions from ELEMENT ONE™

VERSIS 173 FullHD

Retractable Monitor



“What is VERSIS?”

Versis is by design a marvel of technology. A monitor system which can be embedded in furniture surfaces, which when in closed state has the visible side up. Operated by pressing a button or via remote control interface (TCP / IP), both the display and the front panel for the keyboard rise with a barely perceptible whisper, elevating into final position. Versis was conceived of brilliant design and developed with high quality workmanship.

A design first & fully customisable.
Often Copied - Never Equalled.

MADE IN GERMANY.
More than 15 years know-how in monitor-design.
Warranty 5 years mechanics, 2 years electric and electronic,
10 years spare part availability.

Sleek. Silent. Svelte. Handcrafted & tested to ensure the highest standards.
Reliable partner with solid repeat business across diverse client fields. Global references and project experiences.



VERSIS 173 FullHD

Retractable Monitor



GENERAL SPECIFICATIONS

Functionality	Motorised Screen / Elevated Tray With separate motor Single Touch electronic Anti Clamp Protection Interchangeable Keyboard Tray
Motor & Mechanics	12 V Step Motor with simultaneous drive for multiple movements. Maintenance Free Virtually Silent – 40 dB
Material	Frame - Aluminium silver anodized Trim - Black Plexiglass decorative inlay Chassis - Brushed high-grade steel and black anodized aluminium
Display	3 mm Antireflective coated protective glass
Dimensions	495 x 400 x 86 mm
Weight	12.6 kg
Elevated Height	290 mm at 110°
Monitor	Full HD 17.3" LED Backlit TFT HDCP Compatible Active Matrix Widescreen Format
Brightness	400 cd/m2
Contrast Ratio	600:1
Resolution	1920 x 1080 – Full HD (16:9)
Pixel size	0.1989 x 0.1989 mm
Viewing Angle	Horizontal 160°/Vertical - 140°
Viewing Area	381,888(H) x 214,812(V)

LED Lifespan	Up to 50,000 hrs
Video Interface	HDMI VGA Optional
Remote Control	TCP/IP on-board via RJ45 9-PIN d-sub serial For device control, setup of the movement parameter, firmware-Update (E1-cable and software required)
Power Consumption	15W
Certifications	TüV, CE, FCC
Warranty	5 Years Mechanical / 2 Years Optical Extendable at inception with surcharge E&OE Sustainable materials and manufacturing

SCOPE OF SUPPLY

External Power Supply
Power Cord – 1.5 m
Output: 12V, 5A
Input: 100 - 240V, 50/60Hz, 1,5A

AVAILABLE OPTIONS

Integration from Below – R Version
Custom Colour – Anodization or Coating
Custom Plexiglass Trim Colour
Custom Logo
Multi Touch Overlay
Additional sockets – USB / XLR / Phono / Video
Leather Trim
Double Full HD cam
Conference Microphone



VERSIS 173 FullHD

Retractable Monitor



Individual planing
of your project

Applications

- Educational
- Commercial
- Medical
- HoW
- Financial
- Institutional
- Retail

- Custom Colour – Anodization or Coating
- Custom Plexiglass Trim Colour
- Custom Logo

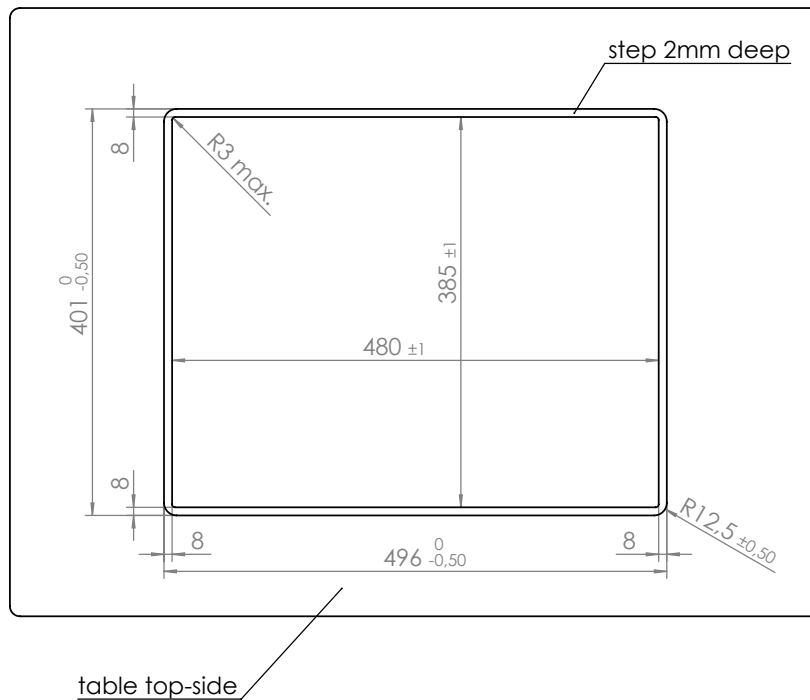


VERSIS 173 FullHD

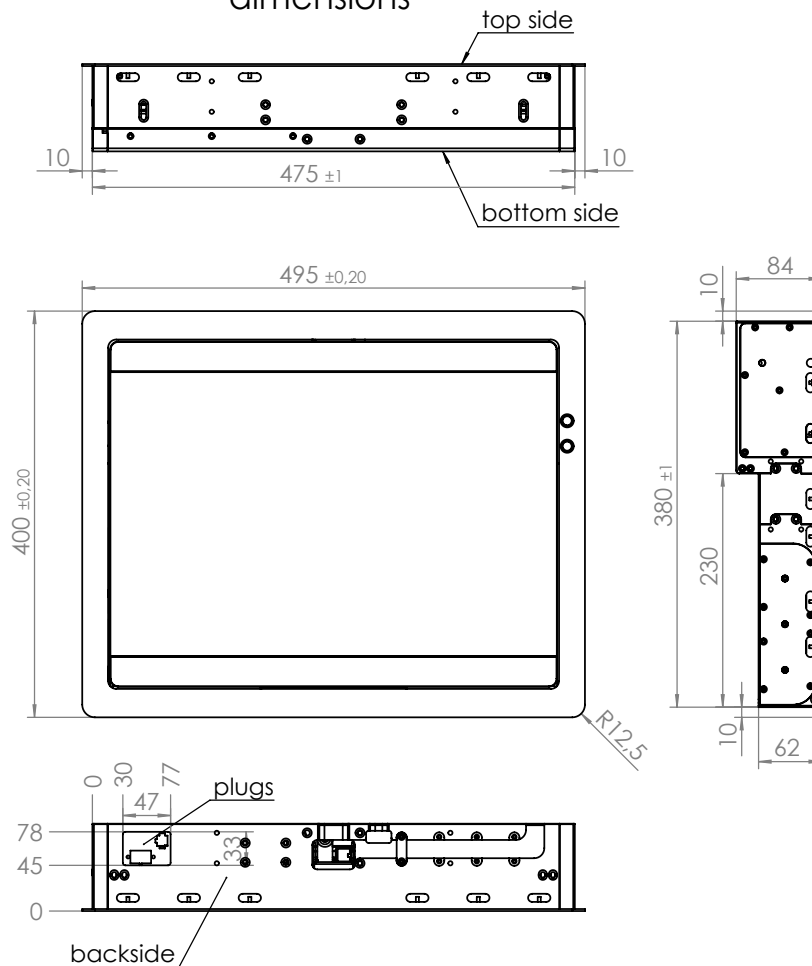
Retractable Monitor



table-cutting



dimensions

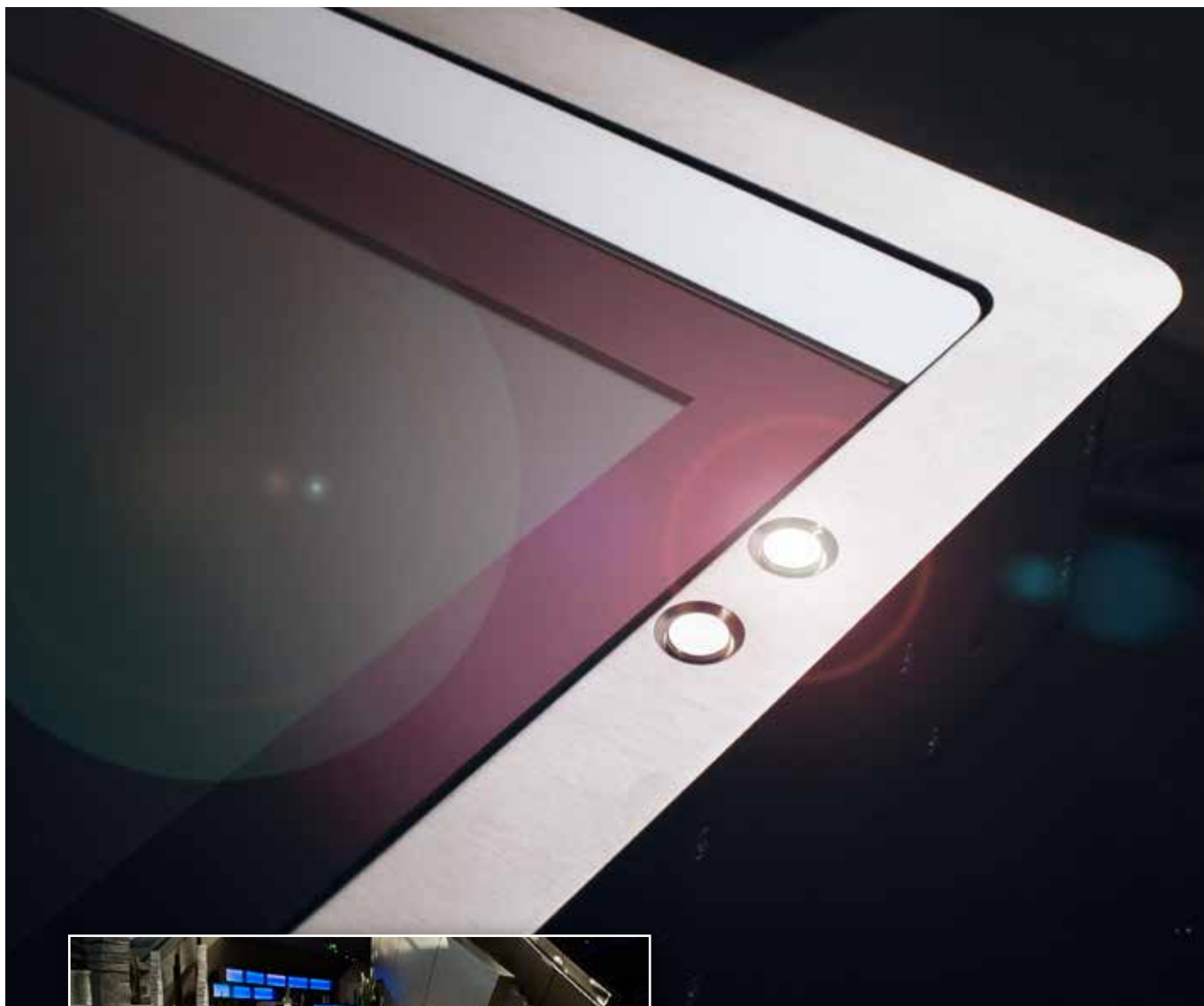


VERSIS 173 FullHD

Retractable Monitor



VERSIS



ELEMENT ONE Multimedia GmbH
Zum Murgdamm 5
D-76456 Kuppenheim
Germany
fon +49 (0) 7222 96654-0
fax +49 (0) 7222 96654-29
www.elementonescreens.com
info@elementonescreens.com