

MODIS 173 FullHD

Retractable Monitor

ELEMENT
ONE

M O D I S



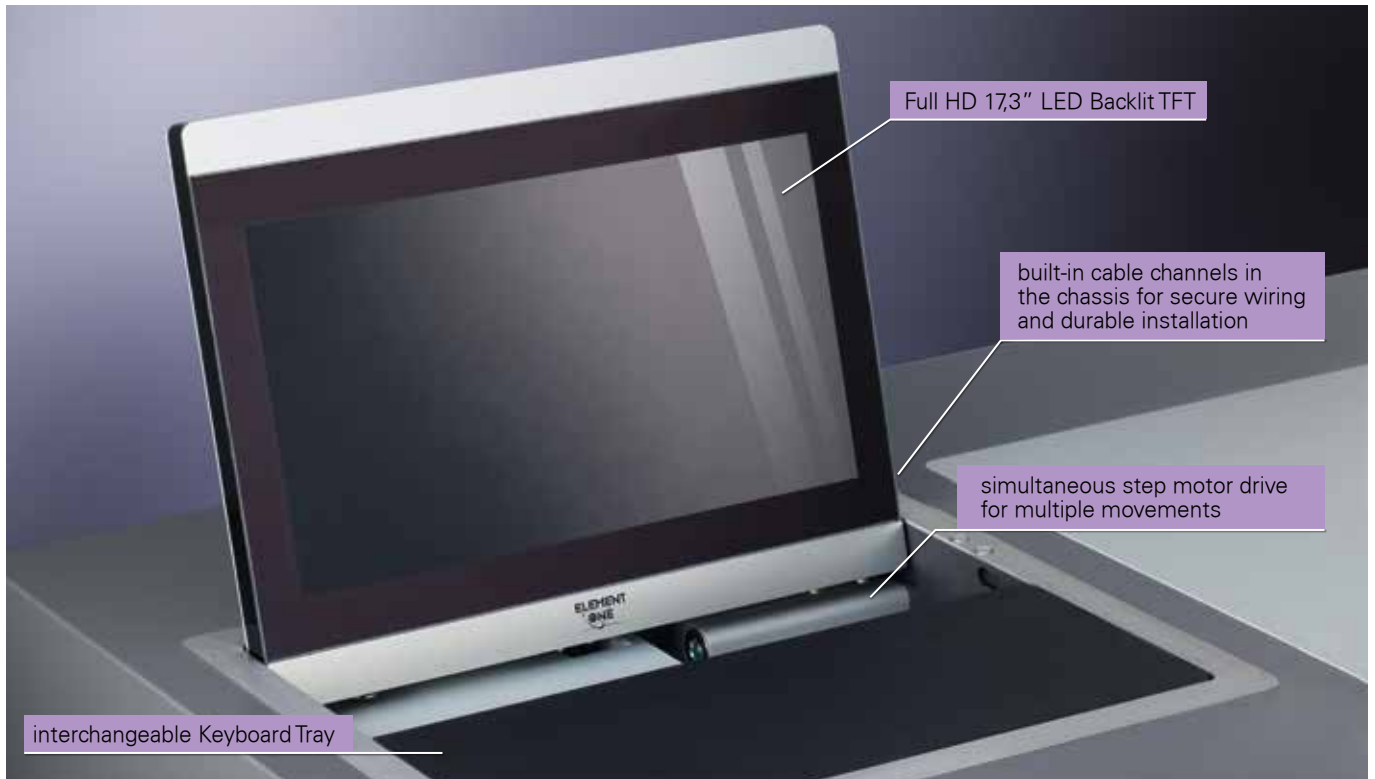
„visulutionary“

[ˈvɪʒuˈluːʒənəri] ADJ:

describes the feeling and impression
you get when you use unique integrated
monitor solutions from ELEMENT ONE™

MODIS 173 FullHD

Retractable Monitor



Full HD 17,3" LED Backlit TFT

built-in cable channels in the chassis for secure wiring and durable installation

simultaneous step motor drive for multiple movements

interchangeable Keyboard Tray

"What is MODIS?"

Once installed in furniture, The MODIS virtually disappears, by virtue of its design characteristics. The unique mechanism folds flat into the table and the rear of the panel may be veneered with the matching surface material also. Glass, Corian, Leather – the choice is yours. Control is a single press open / close or may be integrated with a Media Control System & be managed remotely via TCP/IP on the integrated Ethernet port.

A design first & fully customisable. Often Copied - Never Equalled.

MADE IN GERMANY.

More than 15 years know-how in monitor-design. Warranty 5 years mechanics, 2 years electric and electronic, 10 years spare part availability.

Sleek. Silent. Svelte. Handcrafted & tested to ensure the highest standards.

Reliable partner with solid repeat business across diverse client fields. Global references and project experiences.



optional:
• USB sockets
• microphone

MODIS 173 FullHD

Retractable Monitor



GENERAL SPECIFICATIONS

Functionality	Motorised Screen / Elevated Tray Single Touch electronic Anti Clamp Protection Interchangeable Keyboard Tray
Motor & Mechanics	12v Step Motor with simultaneous drive for multiple movements. Maintenance Free Virtually Silent – 40 dB
Material	Frame - Aluminium silver anodized Trim - Black Plexiglass decorative inlay Chassis & Cartouche - Brushed high-grade steel and black anodized aluminum
Display	3mm Antireflective coated protective glass
Dimensions	495 x 400 x 86 mm
Weight	12.6 kg
Elevated Height	300 mm at 106°
Monitor	Full HD 17.3" LED Backlit TFT HDCP Compatible Active Matrix Widescreen Format
Brightness	400 cd/m2
Contrast Ratio	600:1
Resolution	1920 x 1080 – Full HD (16:9)
Pixel size	0.1989 x 0.1989 mm
Viewing Angle	Horizontal 160°/Vertical - 140°
Viewing Area	381,888(H) x 214,812(V)
LED Lifespan	Up to 50,000 hrs

Video Interface	HDMI VGA Optional Firmware Update – external via signal cable
Remote Control	TCP/IP on-board via RJ45 9-PIN d-sub serial For device control, setup of the movement parameter, firmware-Update (E1-cable and software required)
Power Consumption	15W
Certifications	TüV, CE, FCC
Warranty	5 Years Mechanical / 2 Years Optical Extendable at inception with surcharge E&OE Sustainable materials and manufacturing

SCOPE OF SUPPLY

External Power Supply
Power Cord – 1.5 m
Output: 12V, 5A
Input: 100 - 240V, 50/60Hz, 1,5A

AVAILABLE OPTIONS

Integration from Below – R Version
Custom Colour – Anodization or Coating
Custom Plexiglass Trim Colour
Custom Logo
Multi Touch Overlay
Additional sockets – USB / XLR / Phono / Video
Leather Trim
Double Full HD cam
Conference Microphone



MODIS 173 FullHD

Retractable Monitor



Applications

Educational
Commercial
Medical
HoW
Financial
Institutional
Retail



MODIS 173 FullHD

Retractable Monitor



table cutting

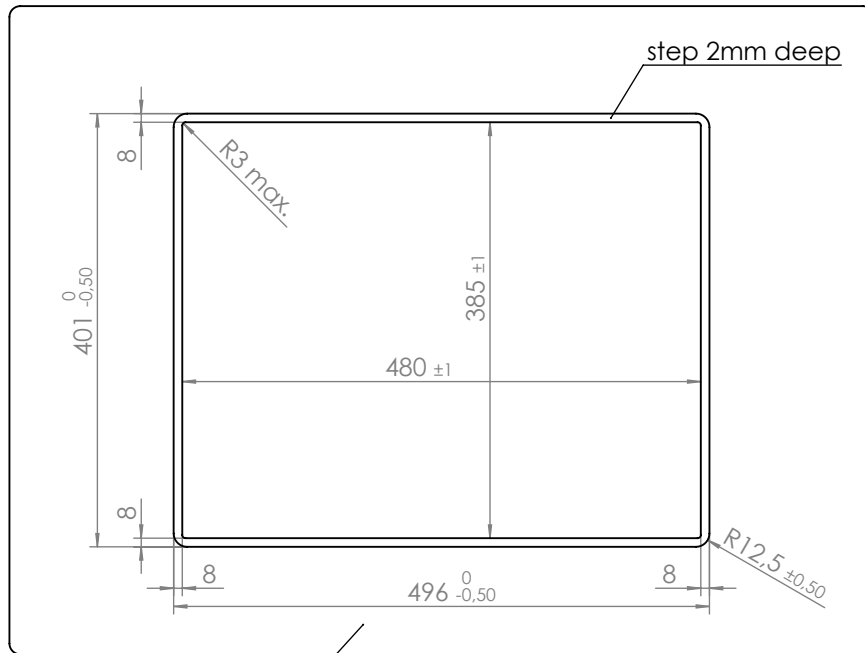
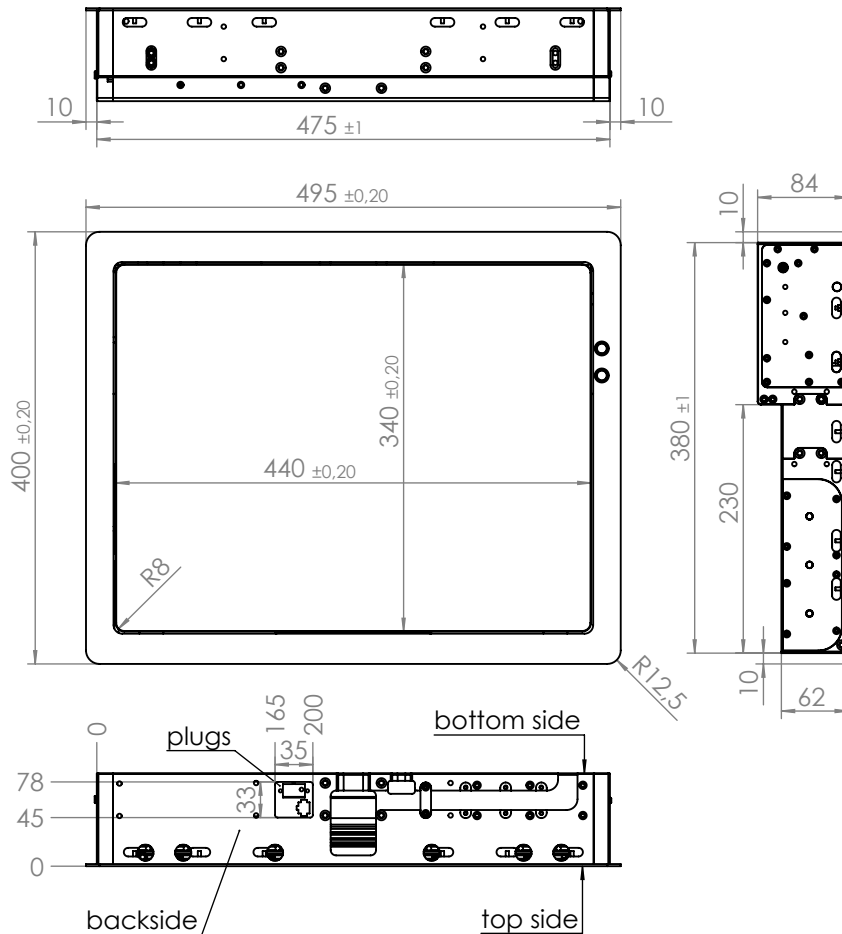


table top-side



MODIS 173 FullHD

Retractable Monitor



MODIS



ELEMENT ONE Multimedia GmbH
Zum Murgdamm 5
D-76456 Kuppenheim
Germany
fon +49 (0) 7222 96654-0
fax +49 (0) 7222 96654-29
www.elementonescreens.com
info@elementonescreens.com