

# CONVERS 220 FullHD / Tilt

Vertically Retractable Monitor



# CONVERS



„visulutionary“

[ 'vɪʒu'lu:ʒənəri ] ADJ:

describes the feeling and impression  
you get when you use unique integrated  
monitor solutions from ELEMENT ONE™

# CONVERS 220 FullHD / Tilt

Vertically Retractable Monitor



HDCP compliant as standard - not as additional extra

separate "tilt" motorization

built in TCP/ IP interface for remote control.

optional:

- Cable outlet at bottom centre
- USB-sockets

## "What is CONVERS?"

CONVERS is a true marvel of functionality, engineering & design. All that is visible in the retracted state is the slender brushed steel cover. With a single touch the display panel elevates with a whisper from the housing below. Designed to encourage interaction within the meeting space it can then disappear as silently & quickly as it appeared to allow the parties' interaction & discourse to continue un-obstructed.

additional feature at model CONVERS 220 Tilt: automatically tilting to the preset user angle

A design first & fully customisable.  
Often Copied - Never Equalled.

MADE IN GERMANY.

More than 15 years know-how in monitor-design.

Warranty 5 years mechanics, 2 years electric and electronic, 10 years spare part availability.

Sleek. Silent. Svelte. Handcrafted & tested to ensure the highest standards.

Reliable partner with solid repeat business across diverse client fields. Global references and project experiences.



# CONVERS 220 FullHD / Tilt

Vertically Retractable Monitor



## GENERAL SPECIFICATIONS

Functionality	Motorised Screen Single Touch electronic Anti Clamp Protection
Motor & Mechanics	12V Step Motor with simultaneous drive for multiple movements. Maintenance Free Virtually Silent – 40 dB
Material	Frame - Aluminium silver anodized Trim - Black Plexiglass decorative inlay Chassis & Cartouche - Brushed high-grade steel
Display	3 mm Antireflective coated protective glass
Dimensions	620 x 100 x 587 mm
Weight	17.4 kg
Inclination	15°
Elevated Height	365 mm
Monitor	Full HD 21.5" LED Backlit TFT HDCP Compatible Active Matrix Widescreen Format
Brightness	250 cd/m <sup>2</sup>
Contrast Ratio	1000:1
Resolution	1920 x 1080 – Full HD (16:9)
Pixel size	0.1989 x 0.1989 mm
Viewing Angle	Horizontal 178°/Vertical - 178°
Viewing Area	475,20 (H) x 267,30 (V)
LED Lifespan	Up to 50,000 hrs

CONVERS 220 Tilt:  
separate motorization  
to inclinate

CONVERS 220 Tilt:  
Second motorization  
for tilt mechanism

CONVERS 220 Tilt:  
inclination 15°,  
elevated height  
322 mm at 105°

Video Interface	HDMI VGA Optional Firmware Update – external via signal cable
Remote Control	TCP/IP on-board via RJ45 9-PIN d-sub serial For device control, setup of the movement parameter, firmware-Update (E1-cable and software required)
Power Consumption	15W
Certifications	TüV, CE, FCC
Warranty	5 Years Mechanical / 2 Years Optical Extendable at inception with surcharge E&OE Sustainable materials and manufacturing

## SCOPE OF SUPPLY

External Power Supply  
Power Cord – 1.5 m  
Output: 12V, 5A  
Input: 100 - 240V, 50/60Hz, 1,5A

## AVAILABLE OPTIONS

Integration from Below – R Version  
Custom Colour – Anodization or Coating  
Custom Plexiglass Trim Colour  
Custom Logo  
Multi Touch Overlay  
Additional sockets – USB / XLR / Phono / Video  
Leather Trim  
Double Full HD cam  
Conference Microphone



# CONVERS 220 FullHD / Tilt

Vertically Retractable Monitor



## Applications

Educational  
Commercial  
Medical  
HoW  
Financial  
Institutional  
Retail

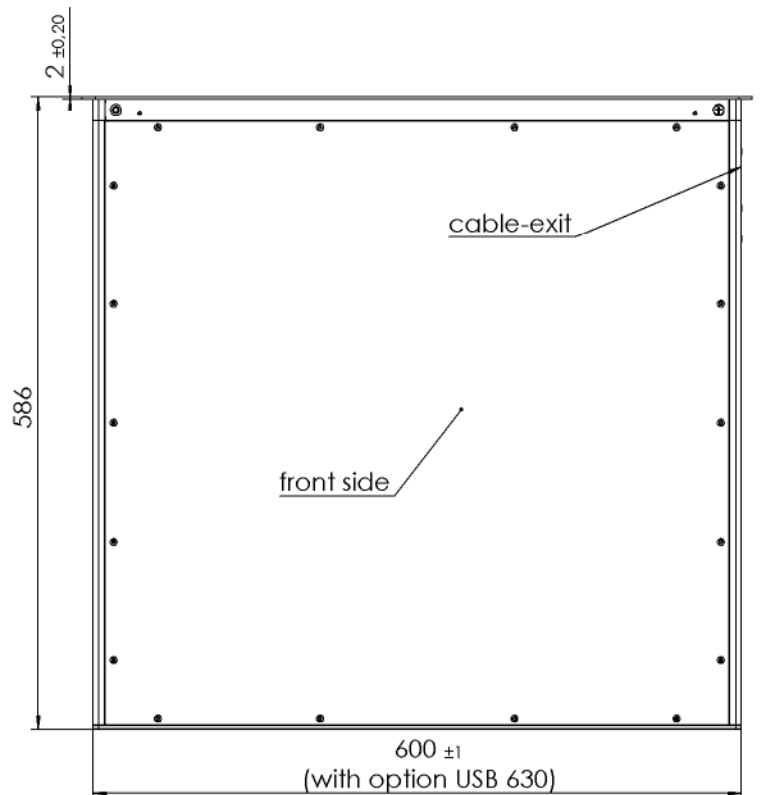
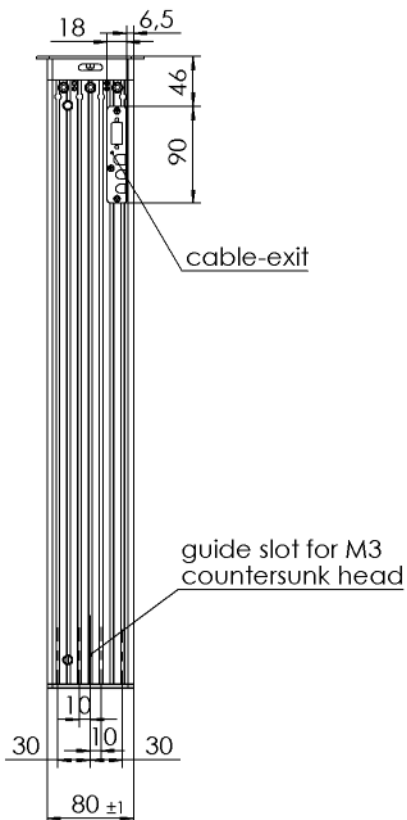
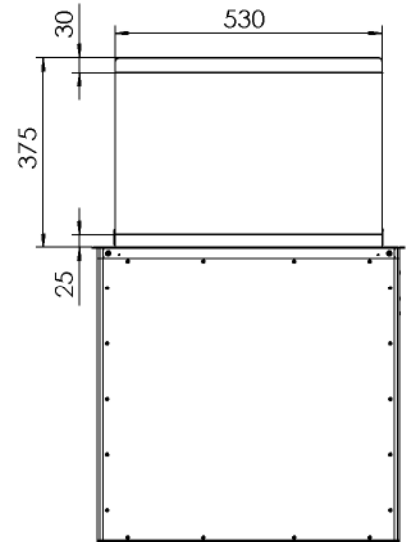
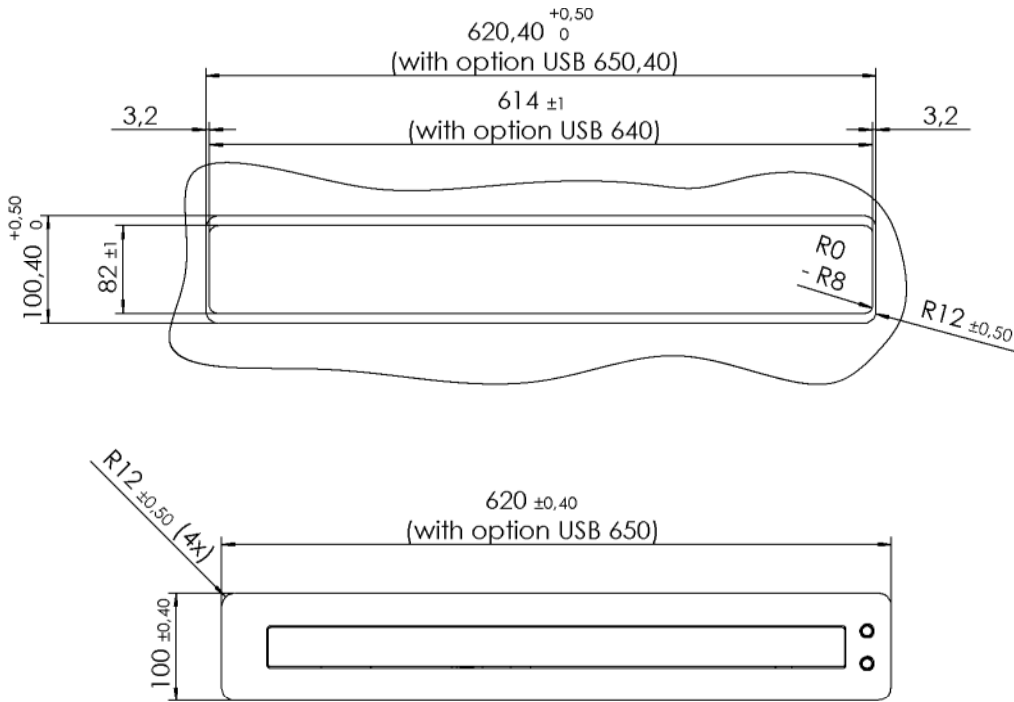


# CONVERS 220 FullHD / Tilt

Vertically Retractable Monitor



Nothing to talk about.  
Cut out, put in, plug in.



# CONVERS 220 FullHD / Tilt

Vertically Retractable Monitor



# CONVERS



ELEMENT ONE Multimedia GmbH  
Zum Murgdamm 5  
D-76456 Kuppenheim  
Germany  
fon +49 (0) 7222 96654-0  
fax +49 (0) 7222 96654-29  
[www.elementonescreens.com](http://www.elementonescreens.com)  
[info@elementonescreens.com](mailto:info@elementonescreens.com)