

conMIC

Furniture Integrated Microphone Lift

**ELEMENT
ONE**

C O N M I C

„visulutionary“

[ˈvɪʒuˈluːʒənəri] ADJ:

describes the feeling and impression
you get when you use unique integrated
monitor solutions from ELEMENT ONE™



pushing furniture
flap automatically

Garantie-Siegel

conMIC

Furniture Integrated Microphone Lift



“What is conMIC?”

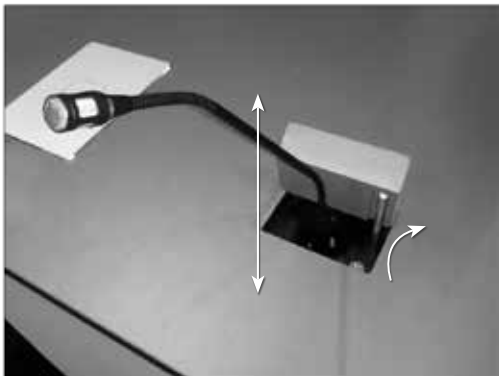
conMIC allows for the seamless integration of conference microphones to be placed below furniture level and elevating only upon request. conMIC contributes greatly to the room aesthetics, removing clutter and obstruction while retaining functionality. These may be controlled either by a single press on the keyplate or by remote control.

“Unique to the design focus was the ability to be flexible. With this in mind we incorporated a dual lift mechanism to cover both the flap raise and also the microphone lift. This mechanism has left the possibility of universal integration, accommodating multiple length goosenecks from all vendors. We included a mechanical pin to drive the flap and once complete the secondary drive elevates the microphone.”

A design first & fully customisable.
Often Copied - Never Equalled.

MADE IN GERMANY.
Warranty 5 years.
10 years spare part availability.

Sleek. Silent. Svelte. Handcrafted & tested to ensure the highest standards.
Reliable partner with solid repeat business across diverse client fields. Global references and project experiences.



Applications

Educational
Commercial
Medical
HoW
Financial
Institutional
Retail

GENERAL SPECIFICATIONS

Functionality	Furniture Integrated Microphone Lift Motorised solution for concealing microphones below table surface. Full TCP/IP Control for remote via 3rd Party. Accommodates various Gooseneck lengths.
Motor & Mechanics	12V Step Motor with simultaneous drive for multiple movements. Separate Step Motor for pushing furniture flap. Maintenance Free Virtually Silent – 40 dB
Material	Chassis & Cartouche anodized aluminium, highgrade steel, POM
Dimensions	120 x 80 x 586mm
Weight	4,5 kg
Elevated Height	Max. 450mm (microphone length)
Remote Control	TCP/IP via RJ45 on board Ethernet Port 9 Pin Connector for Updates & Basic Control
Power Consumption	15W
Certifications	CE, FCC
Warranty	5 Years Extendable at inception with surcharge 10 years spare part availability. E&OE Sustainable materials and manufacturing

SCOPE OF SUPPLY

External Power Supply
Cable remote - 1,5m
Power Cord - 1.5m
Output: 12V, 5A
Input: 100 - 240V, 50/60Hz, 1,5A

AVAILABLE OPTIONS

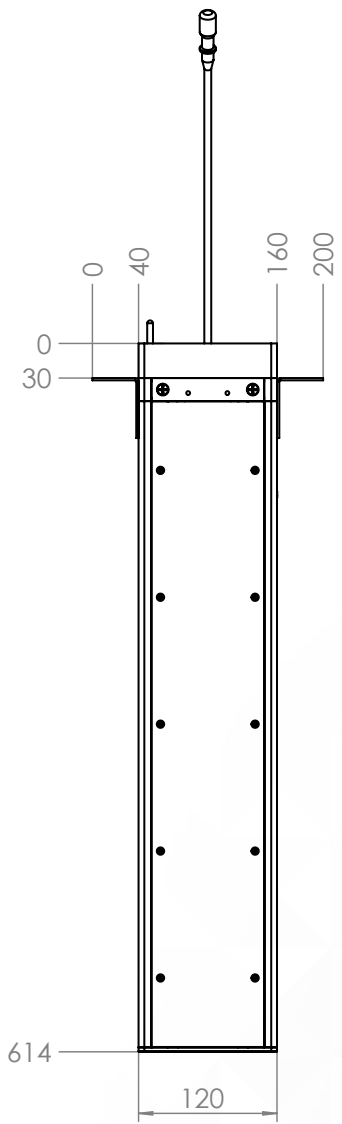
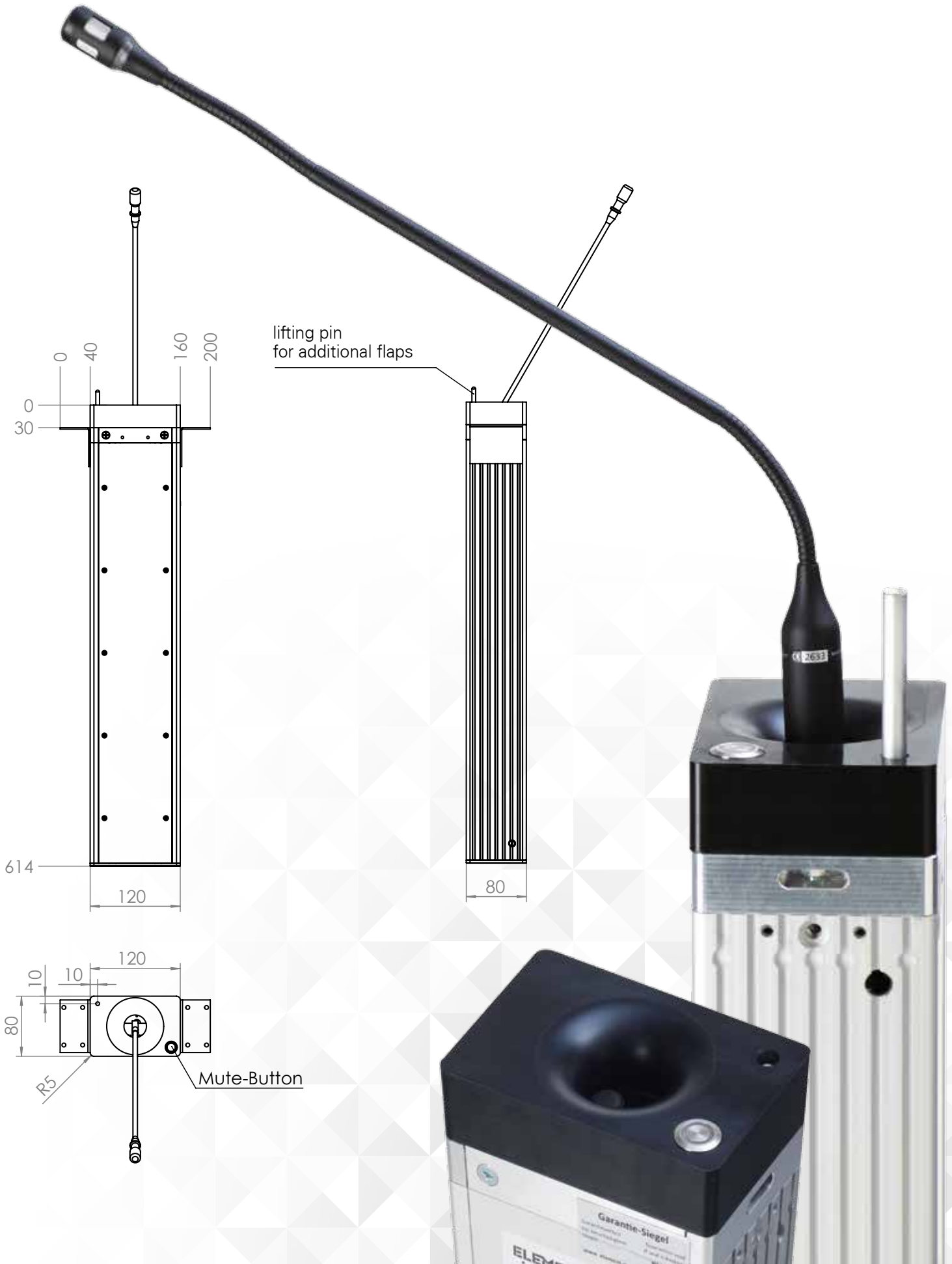
Customized cover plate

Features

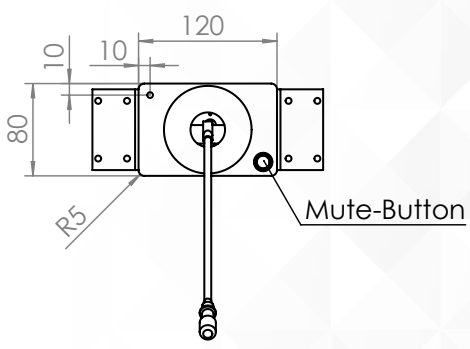
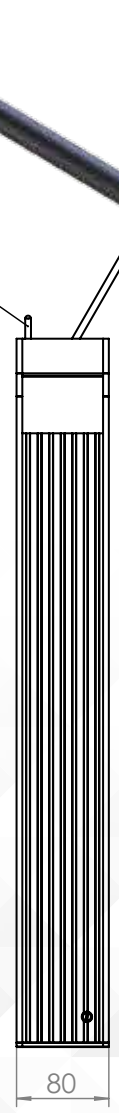
Integrated from below
Variable height mechanism
Dual Drive for independent motion
Clean finish
No Compromise functionality

conMIC

Furniture Integrated Microphone Lift



lifting pin
for additional flaps



conMIC

Furniture Integrated Microphone Lift



C O N N M I C



ELEMENT ONE Multimedia GmbH
Zum Murgdamm 5
D-76456 Kuppenheim
Germany
fon +49 (0) 7222 96654-0
fax +49 (0) 7222 96654-29
www.elementonescreens.com
info@elementonescreens.com